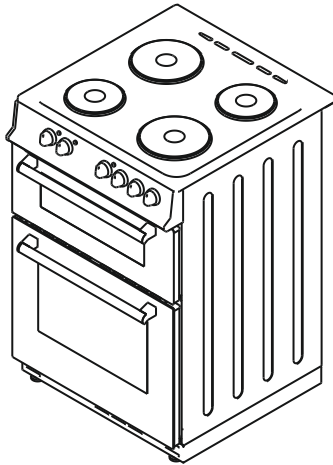




BEL FS50EFDO SIL/444443926
BEL FS50EFDO STA/444443924
BEL FS50EFDO BLK/444443925
BEL FS50EFDO WHI/444443923

**OPERATING AND INSTALLATION
INSTRUCTIONS OF
ELECTRIC DOUBLE OVEN**



Dear Customer,

Thank you for purchasing this Cooking Appliance. The safety precautions and recommendations in these instructions are for your own safety and that of others. They will also provide a means by which to make full use of the features offered by your appliance.

Please keep this booklet in a safe place. It may be useful in future, either to yourself or to others in the event that doubts should arise relating to its operation.

This appliance must be used only for its intended purpose, that is for the domestic cooking of foodstuffs. Any other form of usage is to be considered as inappropriate and therefore dangerous.

The manufacturer declines all responsibility in the event of damage caused by improper or incorrect use of the appliance.

CE Declaration of conformity

This cooking appliance has been designed to be used only for cooking. Any other use (such as heating a room) is improper and dangerous.

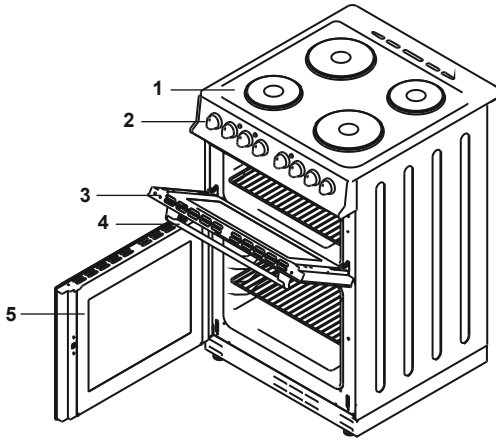
This cooking hob has been designed, constructed and marketed in compliance with:

- Safety requirements of the "LVD" Directive 2006/95/EC;
- Safety requirements of the "EMC" Directive 2004/108/EC;
- Requirements of the Directive 93/68/EC.

CONTENTS:

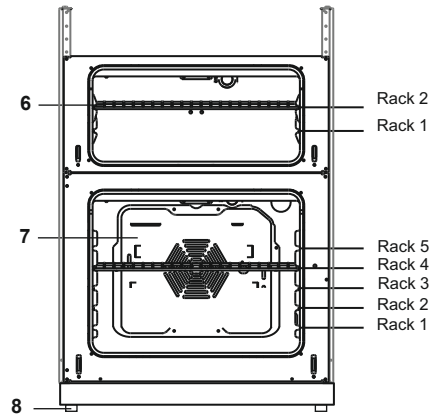
- 1. LAYOUT OF COOKER**
- 2. WARNINGS**
- 3. INSTALLATING YOUR COOKER**
- 4. USING THE PRODUCT**
- 5. CLEANING AND MAINTENANCE**
- 6. SERVICE AND TRANSPORT**

PART 1: LAYOUT OF COOKER



List of Components

1. Cooktop
2. Control panel
3. Top oven door
4. Oven door handle
5. Main oven door
6. Grid
7. Fan cover
8. Supply leg



PART 2: WARNINGS

PLEASE READ THE ENTIRE INSTRUCTION MANUAL CAREFULLY BEFORE USING YOUR APPLIANCE. MAKE SURE TO KEEP THE MANUAL SOMEWHERE SAFE IN CASE YOU NEED IT FOR FUTURE REFERENCE.

THIS INSTRUCTION MANUAL HAS BEEN WRITTEN WITH OUR OTHER COOKER MODELS IN MIND, AS WELL AS YOUR MODEL, THEREFORE SOME OF THE FEATURES THAT YOU SEE EXPLAINED IN THIS MANUAL WILL NOT BE APPLICABLE TO YOUR COOKER. PLEASE PAY PARTICULAR ATTENTION TO THE INSTRUCTIONS THAT HAVE ACCOMPANYING PICTURES WHEN READING THIS MANUAL.

General Safety Warnings

- This appliance can be used by children aged from 8 years and above and persons with reduced physical, sensory or mental capabilities or lack of experience and knowledge if they have been given supervision or instruction concerning use of the appliance in a safe way and understand the hazards involved. Children shall not play with the appliance. Cleaning and user maintenance shall not be made by children without supervision.
- **WARNING:** The appliance and its accessible parts become hot during use. Care should be taken to avoid touching heating elements. Children less than 8 years of age shall be kept away unless continuously supervised.
- **WARNING:** Unattended cooking on a hob with fat or oil can be dangerous and may result in fire. NEVER try to extinguish a fire with water, but switch off the appliance and then cover flame e.g. with a lid or a fire blanket.
- **WARNING:** Danger of fire: do not store items on the cooking surfaces.

-
- **WARNING:** If the surface is cracked, switch off the appliance to avoid the possibility of electric shock.
 - For hobs incorporating a lid, any spillage should be removed from the lid before opening. And also the hob surface should be allowed to cool before closing the lid.
 - The appliance is not intended to be operated by means of an external timer or separate remote-control system.
 - **WARNING:** In order to prevent tipping of the appliance, the stabilizing brackets must be installed. (For detail information please read the anti-tilting kit set guide.)
 - During use, the appliance becomes hot. Care should be taken to avoid touching heating elements inside the oven.
 - During use, handles held for short periods in normal use can get hot.
 - Do not use harsh abrasive cleaners or sharp metal scrapers to clean the oven door glass and other surface since they can scratch the surface, which may result in shattering of the glass or damage to the surface.
 - Do not use steam cleaners for cleaning the appliance.

-
-
- **WARNING:** Ensure that the appliance is switched off before replacing the lamp to avoid the possibility of electric shock.
 - **CAUTION:** Accessible parts may be hot when the cooking or grilling is in use. Young children should be kept away.

- Your appliance is produced in accordance with all applicable local and international standards and regulations.
- Maintenance and repair work must be made only by authorized service technicians. Installation and repair work that is carried out by unauthorized technicians may endanger you. It is dangerous to alter or modify the specifications of the appliance in any way.
- Prior to installation, ensure that the local distribution conditions (nature of the gas and gas pressure or electricity voltage and frequency) and the requirements of the appliance are compatible. The requirements for this appliance are stated on the label.
- **CAUTION:** This appliance is designed only for cooking food and is intended for indoor domestic household use only and should not be used for any other purpose or in any other application, such as for non-domestic use or in a commercial environment or room heating.
- Do not try to lift or move the appliance by pulling the door handle.
- All possible security measures have been taken to ensure your safety. Since the glass may break, you should be careful while cleaning to avoid scratching. Avoid hitting or knocking on the glass with accessories.
- Ensure that the supply cord is not wedged during the installation. If the supply cord is damaged, it must be replaced by the manufacturer, its service agent or similarly qualified persons in order to prevent a hazard.
- While the oven door is open, do not let children climb on the door or sit on it.

Installation Warnings

- Do not operate the appliance before it is fully installed.
- The appliance must be installed and put into use by an authorized technician. The producer is not responsible for any damage that might be caused by defective placement and installation by unauthorized people.
- When you unpack the appliance, make sure that it is not damaged during transportation. In case of any defect; do not use the appliance and contact a qualified service agent immediately. As the materials used for packaging (nylon, staplers, styrofoam...etc) may cause harmful effects to children, they should be collected and removed immediately.
- Protect your appliance against atmospheric effects. Do not expose it to effects such as sun, rain, snow etc.
- The surrounding materials of the appliance (cabinet) must be able to withstand a temperature of min 100°C.

During usage

- When you first run your oven a certain smell will emanate from the insulation materials and the heater elements. For this reason, before using your oven, run it empty at maximum temperature for 45 minutes. At the same time you need to properly ventilate the environment in which the product is installed.
- During usage, the outer and inner surfaces of the oven get hot. While opening the oven door, step back to avoid the hot steam coming out of the oven. There may be a risk of burns.
- Do not put flammable or combustible materials, in or near the appliance when it is operating.
- Always use oven gloves to remove and replace food in the oven.
- Do not leave the cooker while cooking with solid or liquid oils. They may catch fire on condition of extreme heating. Never pour water on to flames that are caused by oil. Cover the saucepan or frypan with its cover in order to choke the flame that has occurred in this case and turn the cooker off.
- Always position pans over the centre of the cooking zone, and turn the handles to a safe position so they cannot be knocked or grabbed.
- If you are not using the appliance for a long time, turn it off. Keep the main control switch off. Also when you do not use the appliance, keep the gas valve off.
- Make sure the appliance control knobs are always in the "0" (stop) position when it is not used.
- The trays incline when pulled out. Be careful not to let hot liquid spill over.
- When the door or drawer of the oven is open, do not leave anything on it. You may unbalance your appliance or break the cover.
- Do not put heavy things or flammable or ignitable goods (nylon, plastic bag, paper, cloth...etc) into the drawer. This includes cookware with plastic accessories (e.g. handles).
- Do not hang towels, dishcloths or clothes from the appliance or its handles.

During cleaning and maintenance

- Always turn the appliance off before operations such as cleaning or maintenance. You can do it after unplugging the appliance or turning the main switches off.
- Do not remove the control knobs to clean the control panel.

TO MAINTAIN THE EFFICIENCY AND SAFETY OF YOUR APPLIANCE, WE RECOMMEND YOU ALWAYS USE ORIGINAL SPARE PARTS AND TO CALL ONLY OUR AUTHORIZED SERVICE AGENTS IN CASE OF NEED.

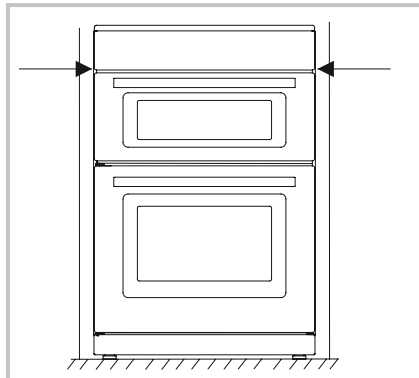
PART 3: INSTALLING YOUR COOKER

Manufactured with the best quality parts and material, this modern, functional and practical cooker aims to meet all your cooking needs. Read the manual carefully to familiarise yourself with the functions of the appliance so that you know how to use it successfully and safely. The information below contains rules that are necessary for positioning it correctly and for any service work that may need to be done. All information should be read without fail, especially by the technician who will position the appliance.

CONTACT A QUALIFIED AND AUTHORIZED TECHNICIAN TO INSTALL YOUR COOKER

3.1 POSITIONING THE COOKER

- There are several factors to consider when choosing a place for your cooker. Follow our advice below in order to prevent any problems and dangerous situations from happening.
- Furniture can be placed in the surrounding area of the cooker, providing that the furniture's height does not exceed the height of the cooker panel.
- When choosing a place for your cooker, do not to place it near a refrigerator and make sure there are no flammable or combustible materials in the surrounding area that could catch fire with a cooker nearby, such as curtains, oil, cloth etc.
- Make sure there is at least a 2cm gap between the back cover of the cooker and the wall to help the air circulate.
- Any furniture near the cooker must be made of materials that are resistant to heat 50°C more than the room temperature.
- This double oven cooker is designed to fit between two kitchen cabinets spaced over 500mm apart. The space each side of the cooker needs to be enough to allow the oven to be taken in and out in case it needs servicing.
- You can place this cooker with cabinets on one or both sides as well as in a corner position. It can also stand alone.



- The furniture close to cooker must be manufactured resistant to heat more than 50 C° of the room temperature.
- The cooker is designed to fit between kitchen cabinets spaced over 500 mm apart. The space either side of the cooker need only be sufficient to allow withdrawal of the cooker for servicing. It can be used with cabinets on one side or both sides as well as in a corner setting. It can also be used free-standing.

3.2 ADJUSTING THE LEVELLING LEGS

This cooker stands on 4 levelling legs. As the legs are initially on a lower position, you must adjust them to make sure the cooker is balanced before using it. If you need to balance the cooker, the legs can be adjusted by turning them clockwise. You can raise the cooker by a maximum of 15mm with the levelling legs. If you have had to adjust the cooker with the levelling legs make sure to move the cooker by lifting it rather than dragging it. The levelling leg can be adjusted by hand or a suitable size coin.

3.3 ELECTRIC CONNECTION AND SAFETY

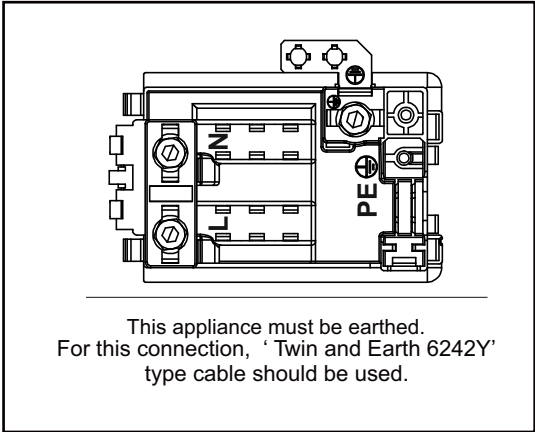
When it comes to connecting you appliance, please follow the instructions below carefully.

- Before carrying out the electrical connection, make sure that the current carrying capacity of your mains electricity supply and your socket is suitable for the maximum power rating of the cooker.
- Before proceeding with the electrical connection, verify that the current carrying capacity of the system and the socket is adequate for the maximum power rating of the oven.
- Electrical installation of the residence and the electrical current plug in use must be earthed and conform to safety regulations.
- A circuit breaker with a contact opening of at least 3 mm must be installed inside the supply circuit.
- Do not use adaptors, multiple sockets and/or extension leads.
- Fused switch must be accessible once the oven has been installed.

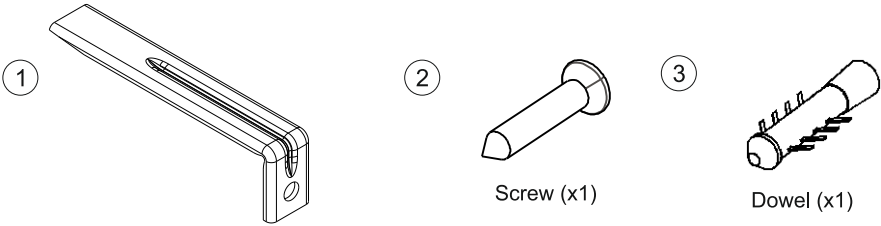
IMPORTANT: The following diameters of the supply cables must be used in the case of a one phase connection:

Rated power on nameplate:	Diameter of supply cable:	Rated power on nameplate:	Diameter of supply cable:
5000W -8700W at 220V:	3 x 2.5 mm ²	> 8700W at 220 V	3 x 4.0 mm ²
5000W -9100W at 230V:	3 x 2.5 mm ²	> 9100W at 230 V	3 x 4.0 mm ²
5000W -9500W at 240V:	3 x 2.5 mm ²	> 9500W at 240 V	3 x 4.0 mm ²

Connection diagram is given below.

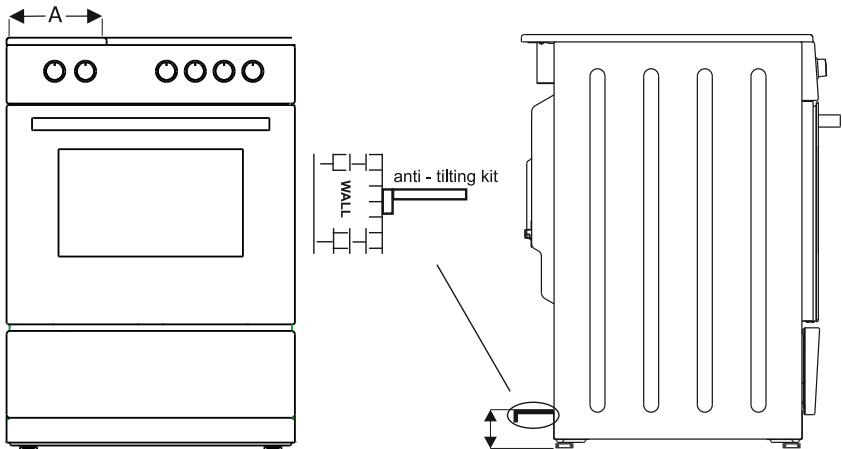


3.4 INSTALLING THE ANTI-TILTING BRACKET



Anti-Tilting Bracket (x1)
(Will be installed to the wall)

Document bag contains an anti-tilting kit. Anti-Tilting Bracket (1) must be installed onto the wall via using Screw (2) and Dowel (3) with the following measures. Height can be adjusted according to product dimensions. After Installation of the Anti - Tilting bracket to the wall check if the bracket is placed on the correct point. After installation is completed, move the product to the wall and be sure that anti-tilting bracket is in use.



PRODUCT DIMENSIONS (Width x Depth x Height) (cm)	A (mm)	h (mm)
60x60x90 (Double Oven)	297,5	52
50x60x90 (Double Oven)	247,5	52
60x60x85 (Double Oven)	309,5	64
90x60x85	430	107
60x60x90	309,5	52
60x60x85	309,5	64
50x60x90	247,5	52
50x60x85	247,5	64
50x50x90	247,5	52
50x50x85	247,5	64

PART 4: USING THE PRODUCT

4.1 TECHNICAL SPECIFICATIONS FOR TOP AND MAIN OVENS

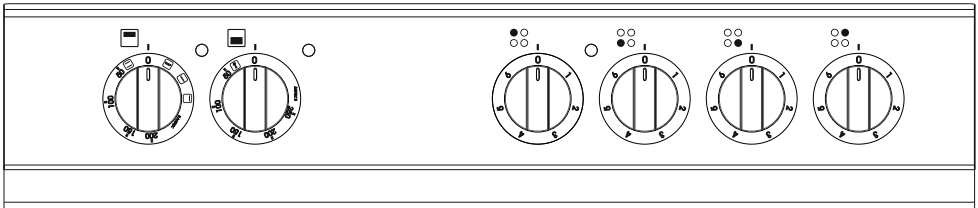
TOP OVEN OF 50x60 COOKER	RATING
Top Heating Element	500W
Bottom Heating Element	600W
Grill Heating Element	1400W
MAIN OVEN OF 50x60 COOKER	RATING
Ring Heating Element	2000W
HOTPLATE HOB	RATING
145mm hotplate	1000W
180mm hotplate	1500W
145mm rapid hotplate	1500W
180mm rapid hotplate	2000W

The availability of a heating element varies according to the specification of products.

4.2. USING YOUR COOKER

The control panel of the cooker is shown below.

BEL FS50EFDO SIL - BEL FS50EFDO STA - BEL FS50EFDO BLK - BEL FS50EFDO WHI



4.3. USING THE COOKTOP BURNERS

There are 2 types hotplates

Standard hotplate

Rapid hotplate (which is marked by the red dot on the hotplate surface)

The hob part of the cooker is operated by 4 control knobs, one for each burner. Each control knob has 7 positions on the control panel for a more precise heat control. Position "0" is the off position and the other 6 positions are ideal for different cooking styles. See our recommendations below:

1: This keeps heat at a constant and minimum temperature which is ideal for heating soups and other liquids.

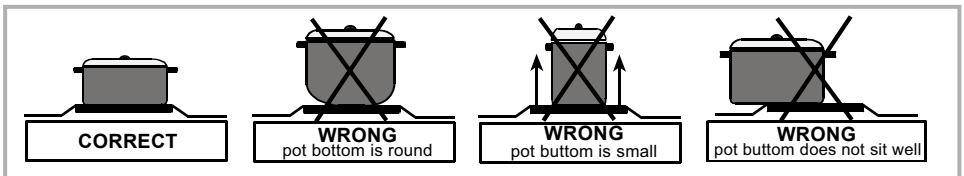
2-3: These two middle heat positions are good for simmering and heating foods.

4-5-6: These settings are ideal for boiling, frying and cooking larger quantities of food.

The knob rotation direction may differ according to the product specification.

We recommend you use pans with a flat base for an equal heat dispersion to the food.

Make sure the cookware is a suitable size for the size of the hob heating element and that the pan is centred on the heating element for the most efficient usage of the hob.



After using any hob, please make sure that it is switched off.

Never touch any heating element after it has been turned off because it keeps its heat for a while afterwards.

If you are not planning on using the hotplates for a while, we recommend you apply a thin layer of oil so that it work efficiently when you use it again.

Clean the cooker with a wet cloth after use. Stubborn marks can come off easier with water and cleaning detergent.

4.4 USING THE OVEN

4.4.2 Using the Top Oven

The switch for top oven allows you to select the oven functions. The symbols and their functions are briefly explained in the following lines. The detailed information for their usage will also be explained in the following pages.

 Top and bottom heating function

 Top heating function

 Grill function

 Double grilling function

 **Top and bottom heating function**

During this function, the top and bottom heating elements ensure that food is cooked equally top and bottom. To operate, turn the top oven's control knob until you see the relevant symbol, then set desired temperature and let it pre-heat for 10 minutes. Make sure you turn the top oven knob to "0" after cooking, take the cooking tray out and put it in a safe place to cool. Keep children away from the hot oven during and after grilling, until it has cooled completely.

 **Top heating function**

This function is appropriate for frying the upper side of already cooked food and heating food, instead of cooking. Turn your top oven's switch as it will show the sign of this function and place the tray on the grid.

At the end of heating period, turn the top oven switch off. Take the cooking tray out and put it onto a safe place. Keep the children away from hot oven during and after heating, until it is cool completely.

Warning: Top oven door must be kept closed during this function.

 **Grill Function**

This function will grill dishes and snacks. Please use the grill pan supplied with your cooker when you come to grill to prevent food splatters from dripping down to the shelves below. For more grilling details, see the grilling chart.

To operate, turn the control knob to the correct symbol and then turn the knob to "0"

when you finish grilling. Take the hot grill pan out the oven by using the handle and put the pan onto a secure surface. Keep children away from the hot oven during and after grilling, until it has cooled completely.

Warning: Top cavity door should be kept open during this function.



Double grilling function

This function is used for wider area grilling. Please use the grill pan supplied with your cooker when you come to grill to prevent food juices and splatters from dripping down to the shelves below. For more grilling details, see the grilling chart. To operate, turn the control knob to the correct symbol and then turn the knob to “0” when you finish grilling. Take the hot grill pan out the oven by using the handle and put the pan onto a secure surface. Keep children away from the hot oven during and after grilling, until it has cooled completely.

Warning: Top oven door should be kept open during this function.

4.4.3 Using the Main Oven

Use the main oven control knob to select a cooking function. The symbols and their functions for this oven are listed below and a more in-depth explanation of the functions will be in the following pages.



Defrost function

Fan and ring heating function



Defrost function

To use the defrost function, place your frozen food in the oven on a shelf that's on the third slot from the bottom and turn the control dial to the defrost symbol. We recommend you place an oven tray under the defrosting food to catch any melting ice that drips off it whilst thawing. This function will not cook or bake your food, it will only help to defrost it.

Fan and ring heating function

This function spreads heated air equally in the oven and it is appropriate for single or more trays cooking.

Turn your main oven's switch and set the temperature. If available, adjust the digital programmer. Place the tray on the grid. It is recommended to preheat for 10 minutes. If you have two trays of food that you will cook in your oven; you must use that heat for your oven, heat of which of the heats that is appropriate for your food while adjusting the cooking heat. Cooking two trays of food requires additional cooking period according to the single tray cooking. In general, foods in two trays are not cooked at the same time. So, take the tray that you observed that is cooked, from the oven, go on cooking for the other tray of food. As there will be heat transfer between two trays during the cooking of two trays of food, the cooking quality will be lower than the single tray. While cooking double trays, you can get a better cooking result by changing the places and ways of trays if needed. For details, please see the cooking table.

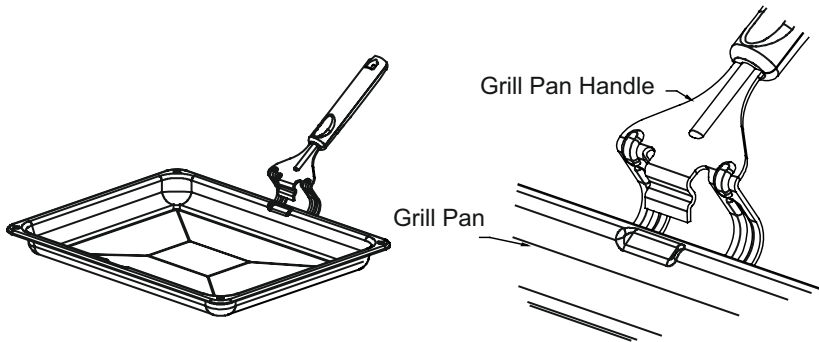
At the end of cooking period, as in all other cooking processes; turn the top oven switch and thermostat switch off. Take the cooking tray out and put it onto a safe place. Keep the children away from hot oven during and after cooking, until it is cool completely.

4.5. USING THE GRILL PAN HANDLE SET

Warning : Always use an oven glove to protect your hand when using the grill as all the metal parts can become very hot!

This grill pan has a detachable handle, so make sure the handle is centralised and attached securely as in the picture on the next page.

Do not leave the handle in position when grilling. If the handle is left on the pan when grilling, it will get extremely hot.

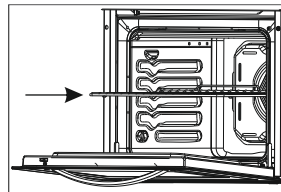


Wire grid

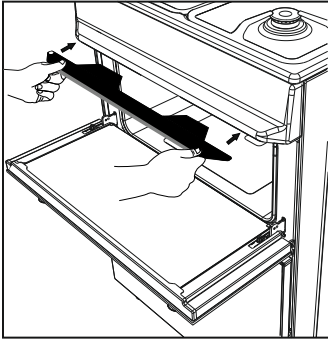


Wire grid is used to grill or to place different cookwares on it.

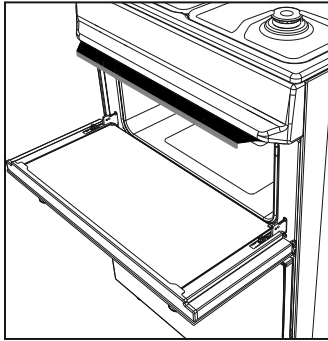
WARNING- Fit the grid correctly into any corresponding rack in the oven cavity and push it to the end.



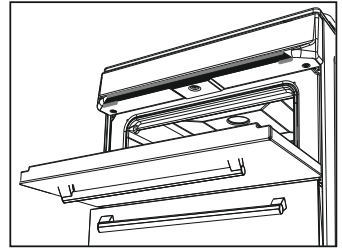
4.6. HEAT DEFLECTOR



①



②



③

Warning:

When operating the grill for periods in excess of 15 minutes, always fit the heat deflector provided, avoiding exposure to excessive control knob temperature. Care should be taken when returning the grill door to the vertical closed position, avoiding hand contact with the deflector. The heat deflector should be allowed to cool prior to removal.

4.7. COOKING RECOMMENDATIONS

4.7.1. Top oven cooking chart

Food	Cooking Temperature	Time(min.)	Rack position
Small Cakes	160-185	20-25	1(From Bottom)
Burgers	Max position	20-25	2(From Bottom)
Beef	Max position	25-30	2(From Bottom)
Toast	Max position	5-10	2(From Bottom)

4.7.2. Main oven cooking chart

Food	Cooking Temperature	Time(min.)	Rack position
Small Cakes	160-185	20-25	2-3(From Bottom)
Fatless Sponge Cake	150-160	30-40	2(From Bottom)

PART 5: CLEANING AND MAINTENANCE

5.1 GENERAL

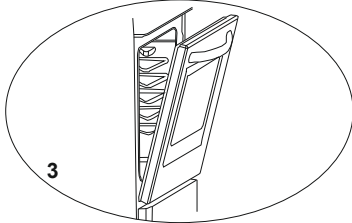
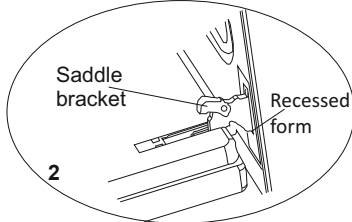
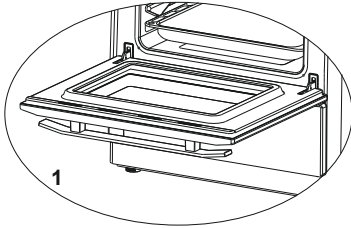
- Before cleaning your cooker, make sure that all control knobs are in the “0” position and that the oven has cooled down.
- Before you clean, check whether the cleaning equipment and detergents you use are appropriate for the cooker, and what is recommended by the manufacturer.
- Use cream cleaners or liquid cleaners which do not contain particles. Do not use caustic (corrosive) creams, abrasive cleaning powders, rough wire wool or hard tools, as they may damage the cooker surfaces.
- Do not use cleaners that contain particles, as they might scratch enamelled and painted parts of your cooker.
- If you spill excess cleaning liquid on the cooker, wipe it up immediately as it may cause damage to the enamel.
- Do not use steam cleaners for cleaning any part of the cooker.

5.2. CLEANING THE SOLIDPLATE HOB

Always unplug the appliance and let it cool down before cleaning it.

Clean the hob regularly with a damp cloth and a little cleaning detergent for particularly stubborn marks. If you clean any stainless steel parts, you must use only water and then dry the part thoroughly with a soft cloth.


5.3 REMOVING AND REASSEMBLING THE OVEN DOOR



To remove the oven door;

- Open the oven door(1).
- Open the saddle bracket up to end position(2).
- Close the door till it almost reaches to the full closed position as shown in 3 figure and remove the door by pulling it towards yourself.

NOTE: To re-assemble the door follow the opposite rules of removal.

 Please pay attention that the recessed forms should be positioned properly on the hinge counterparts as shown on 2nd figure.

5.4 MAINTENANCE

Replacing the Oven Light

We recommend you have the oven light changed by an authorised technician. The rating of the new lamp should be 230V, 25 Watt, Type E14.

- Unplug the cooker and make sure it has cooled down properly.
- Remove the lid in front of the light.
- Take the old bulb out.
- Insert a new bulb that has a heat resistance of 300°C.
- Put the protective lid back in front of the light.

PART 6: SERVICE AND TRANSPORT

6.1 TROUBLESHOOTING BEFORE CONTACTING A REPAIR SERVICE

If the oven is not working:

1. Make sure the cooker is plugged in and switched on.
2. Check other appliances to make sure there hasn't been a power cut.
3. If your model has a timer, make sure the timer is set properly because it may not be regulating the time.

If the oven does not heat:

1. Make sure the heat has been adjusted on the control knob.

If the interior oven lamp is not lighting

1. Make sure the electricity being supplied to the oven is controlled.
2. If the oven lamp is faulty then you can change them as recommended in section 5.2 in the manual

If food is not cooking equally on upper and lower sections:

1. Try repositioning the shelves
2. Change the length of cooking duration and heat level according to the manual


If you still have any problems with the issues above after trying the required steps, then please call in an authorised technician.

6.2 HOW TO TRANSPORT YOUR COOKER

Keep the original packaging materials in a safe place so that if you need to transport the cooker again, you can use its original packaging. Follow the instructions that are printed on the packaging to pack it securely.

If you no longer have the original packaging then make sure that all exterior panels and glass surfaces of the product are well protected before moving it.

This cooker must be transported in an upright position.

	Brand		
	Model		BEL FS50EFDO SIL BEL FS50EFDO STA BEL FS50EFDO BLK BEL FS50EFDO WHI
	Type of Oven		ELECTRIC
	Mass	kg	44,6
Upper Cavity	Energy Efficiency Index - conventional		119,1
	Energy Efficiency Index - fan forced		-
	Energy Class		B
	Energy consumption (electricity) - conventional	kWh/cycle	0,81
	Energy consumption (electricity) - fan forced	kWh/cycle	-
	Heat Source		ELECTRIC
	Volume	l	31
Lower Cavity	Energy Efficiency Index - conventional		-
	Energy Efficiency Index - fan forced		103,7
	Energy Class		A
	Energy consumption (electricity) - conventional	kWh/cycle	-
	Energy consumption (electricity) - fan forced	kWh/cycle	0,81
	Heat Source		ELECTRIC
	Volume	l	55
	Number of cavities		2
	This oven complies with EN 60350-1		

Energy Saving Tips

Oven

- Cook the meals together, if possible.
- Keep the pre-heating time short.
- Do not elongate cooking time.
- Do not forget to turn-off the oven at the end of cooking.
- Do not open oven door during cooking period.

Brand		
Model		BEL FS50EFDO SIL BEL FS50EFDO STA BEL FS50EFDO BLK BEL FS50EFDO WHI
Type of Hob		Electric
Number of Cooking Zones		4
Heating Technology-1		Hotplate
Size-1	cm	Ø14,5
Energy Consumption-1	Wh/kg	193,0
Heating Technology-2		Hotplate
Size-2	cm	Ø14,5
Energy Consumption-2	Wh/kg	194,0
Heating Technology-3		Hotplate
Size-3	cm	Ø18,0
Energy Consumption-3	Wh/kg	193,0
Heating Technology-4		Hotplate
Size-4	cm	Ø18,0
Energy Consumption-4	Wh/kg	194,0
Energy Consumption of Hob	Wh/kg	193,5
This hob complies with EN 60350-2		

Energy Saving Tips

Hob

- Use cookwares having flat base.
- Use cookwares with proper size .
- Use cookwares with lid.
- Minimize the amount of liquid or fat.
- When liquid starts boiling , reduce the setting.



The symbol on the product or on its packaging indicates that this product may not be treated as household waste. Instead it shall be handed over to the applicable collection point for the recycling of electrical and electronic equipment. By ensuring this product is disposed of correctly, you will help prevent potential negative consequences for the environment and human health, which could otherwise be caused by inappropriate waste handling of this product. For more detailed information about recycling of this product, please contact your local city office, your household waste disposal service or the shop where you purchased the product.