

# SAFETY WARNINGS

## MICROWAVE

### IMPORTANT SAFETY INSTRUCTIONS

#### READ CAREFULLY AND KEEP FOR FUTURE REFERENCE

#### General safety

- Switch off and unplug before fitting or removing parts/attachments, after use and before cleaning.
- Keep your fingers away from moving parts and fitted attachments.
- Never use a damaged appliance.
- Never operate the appliance when it is empty.
- Keep the unit, mains cord and plug away from water.
- Never exceed the maximum capacities.
- When using an attachment, read the accompanying safety instructions.
- Take care when lifting this appliance as it is heavy.
- You should always have your appliance checked by a qualified service agent if it has been dropped or damaged to ensure it is safe to use.
- This appliance can be used by children aged from 8 years and above and persons with reduced physical, sensory or mental capabilities or lack of experience and knowledge if they have been given supervision or instruction concerning use of the appliance in a safe way and understand the hazards involved. Children shall not play with the appliance. Cleaning and user maintenance shall not be made by children without supervision.
- Keep the appliance and its cord out of reach of children less than 8 years old.
- Only use the appliance for its intended indoor, household, domestic use.
- This appliance is intended for indoor household use and similar applications such as:
  - farm houses and by clients in hotels, motels and other residential type environment;
  - bed and breakfast type environment;
  - staff kitchen areas in shops, offices and other working environments.

- Do not place anything on top of the microwave.
- The appliance should be placed against a wall. Leave a minimum clearance of 30cm above the oven and 20cm on each side.

**WARNING:** The appliance must be used and maintained in accordance with the instructions provided.

### **Maintenance of your microwave**

**WARNING:** It is hazardous for anyone other than a qualified service agent to carry out any service or repair operation which involves the removal of a cover that gives protection against exposure to microwave energy.

**WARNING:** If the door or door seals are damaged, the microwave must not be operated until it has been repaired by a qualified service agent.

- If smoke is emitted, switch off and unplug the microwave and keep the door closed in order to stifle any flames.
- If the mains cord is damaged, it must be replaced by a qualified service agent.
- If you have a pacemaker, please contact your doctor before using a microwave.

### **Microwave use**

- This microwave is not intended for commercial use.
- The microwave oven is intended for heating food and beverages. Drying of food or clothing and heating of warming pads, slippers, sponges, damp cloth and similar may lead to risk of injury, ignition or fire.
- This microwave must be used indoors, in a dry well-ventilated area.
- Do not place the microwave in a cabinet.
- Install or locate this oven only in accordance with the installation instructions provided.
- The appliance is not intended to be operated by means of an external timer or separate remote-control system.
- The microwave should not be left unattended when in use.
- The temperature of accessible surfaces may be high when the microwave is operating.
- To prevent high moisture content gathering inside the microwave cavity, open the door immediately after the cooking function has

stopped to allow steam to escape.

- Only use utensils that are suitable for microwave use.
- Care should be taken when using paper, plastic, wooden or other combustible materials in the microwave as they can catch fire.
- Oil & fat for deep frying should not be heated in the microwave.
- Only use cling film designed for microwave use and take extra care when removing the film to avoid steam burns.
- Only heat popcorn that has been designed for microwave use.
- Do not operate the microwave empty as this could damage the product.
- Do not attempt to operate this unit with the door open since this can result in harmful exposure to microwave energy. It is important not to break or tamper with the safety interlocks.
- Do not obstruct the unit's front or door, or allow soiling or cleaner residue to accumulate on sealing surfaces.

### **Cooking use**

- As the power of different microwaves can vary considerably, care must be taken when first using this microwave as it may cook faster than expected.
- Do not leave the microwave unattended during use.
- Take care when cooking food with a high sugar or fat content, such as Christmas pudding or fruitcake. The sugar or fat can overheat and in some cases catch fire.
- Do not overcook food.
- Remove wire twist-ties and metal handles from paper or plastic containers/bags before placing them in the oven.

**WARNING:** Liquids or other foods must not be heated in sealed containers since they are liable to explode.

### **Convection use (if applicable)**

- During use the appliance becomes hot. Care should be taken to avoid touching heating elements inside the oven (for cooking ranges and ovens).
- During use the appliance becomes hot. Care should be taken to avoid touching the hot surfaces. Keep children away.
- Switch the appliance off and unplug after use.
- Switch off the appliance, unplug and allow to cool before cleaning and maintenance.

- To avoid an accident, ensure that the turntable support, turntable plate and grill rack (if using one) are always inserted into the appliance and stable in accordance with the instructions.
- Do not use the door as a shelf.
- Do not push down on the open door.
- Accessible parts may become hot during use. Keep children away.
- Handle the glass door with care. Do not use harsh abrasive cleaners or sharp metal scrapers to clean the door glass since they can scratch the surface, which may damage it.
- Do not use any type of cling film or plastic or similar materials when using the Convection function. These materials may melt or otherwise fuse with the food due to the high temperatures.

### **Grill (if applicable)**

- Always keep the turntable plate and grill rack clean as any fat there may catch fire.
- Do not leave unit or appliance unattended when in use.
- Always make sure that (thick portions of) food on the grill rack is kept away from the sides and top of the unit's cavity.
- Accessible parts may become hot when the unit is in use. Keep children away.

### **Hazardous materials**

- Keep combustible materials, such as: curtains, drapes, furniture, pillows, clothing, linens, bedding, paper, etc., at least 3 feet (0.9 metres) from the front sides and rear of the oven. Do not use this unit in areas where gasoline, paint or other flammable liquids or their associated vapours may be present.
- Make sure that if using cling film or plastic or similar materials in the unit, that they are microwave-safe and suitable for the chosen function. If in doubt, do NOT use such materials.

**WARNING:** DO NOT assume that because a child has mastered one cooking skill he/she can cook everything without close supervision.

### **Fire!**

In the event of fire:

- Keep the microwave door closed.
- Turn off the power.
- Unplug the microwave from the mains power.

## First aid

Treat scalding by:

- Quickly placing the scald under cold running water for at least 10 minutes.
- Cover with a clean dry dressing. Do not use creams, oils or lotions.

## Cleaning your microwave

- The microwave should be cleaned regularly and food deposits removed. Failure to maintain the microwave in a clean condition can affect the life of the microwave and possibly result in a hazardous situation. (See cleaning your microwave.)
- Do not use a steam cleaner to clean the unit.

## Do not use these in your microwave

- Metal objects are not to be used in the microwave. These include:
  - Metal cooking utensils
  - Metal plates or trays
  - Wire twist ties
  - Crockery with metal trims
  - Meat thermometer
- Never use equipment made of metal, except aluminium foil in your microwave. The microwave energy cannot pass through metal so it bounces off and sparks against the inside of the microwave.
- Stop the microwave straight away if any equipment is causing sparks.
- Remember that some crockery has a metal trim around the edge. Even this trim can cause sparks.

## Containers

**WARNING:** When heating food in plastic or paper containers, keep an eye on the oven due to the possibility of ignition.

**WARNING:** Pressure will build up in sealed containers and can cause them to explode. Therefore, do not use the following in your microwave:

- Sealed containers
- Capped bottles
- Vacuum containers
- Sealed jars
- Hard-boiled eggs
- Eggs in their shells
- Always pierce the skin of fruit and vegetables, such as potatoes.
- Never use scratched, cracked or damaged glass in a microwave. Damaged glass can explode.

- Caution should be used when using combustible containers, never leave the microwave unattended when in use.

### **Delayed boiling**

Heating of beverages in a microwave can result in delayed eruptive boiling, therefore care must be taken when handling the container.

Take the following precautions:

- Always stir liquids, before and after cooking.
- Allow them to stand.
- Use containers that are wider at the top than at the bottom.

### **Preparing food for babies**

Extra care must be taken when preparing food or drink for babies and small children.

- Always test the food or liquid temperature before feeding it to the baby.
- When using a baby bottle, ensure the teat is removed before heating.
- The contents of feeding bottles and baby food jars are to be stirred or shake, and the temperature is to be checked before consumption, in order to avoid burns.

### **CAUTION!**



#### **Hot surface**

During cooking the outer surface will become hot. Do not touch the outer casing of the microwave. Care should be taken not to store any items on top of your microwave.



#### **Earthing instructions**

**WARNING: THIS APPLIANCE MUST BE EARTHED.**

- This appliance is equipped with a mains cord having an earthed plug.
- The plug must be plugged into an appropriate mains socket that is installed and earthed in accordance with all local standards and requirements.

## WARNING!

- Improper connection of the appliance-earthing conductor can result in a risk of an electric shock.
- Check with a qualified electrician or service representative if you are in doubt whether the appliance is properly earthed.
- Never modify the plug provided with the appliance.
- If the plug does not fit properly in the mains socket, have a qualified electrician install a proper mains socket.
- The appliance is not intended to be operated by means of an external timer or separate remote-control system.



The lightning flash with arrowhead symbol, within an equilateral triangle, is intended to alert the user to the presence of uninsulated “dangerous voltage” within the unit’s enclosure that may be of sufficient magnitude to constitute a risk of electric shock.



The exclamation point within an equilateral triangle is intended to alert the user to the presence of important operating and maintenance (servicing) instructions in the manual accompanying the unit.

**Currys.co.uk**

**All the support you need.**

Whether it's a tech emergency or  
you need plain good advice, we're  
always on hand to help.

UK: 0344 561 1234

IRE: 1890818 575

**Partmaster**  
\_\_\_\_\_.CO.UK

Visit [Partmaster.co.uk](http://Partmaster.co.uk) today for the easiest way to buy electrical spares and accessories. With over 1 million spares and accessories available we can deliver direct to your door the very next day. Visit [www.partmaster.co.uk](http://www.partmaster.co.uk) or call 0344 800 3456 (UK customers only) Calls charged at National Rate.



The symbol on the product or its packaging indicates that this product must not be disposed of with your other household waste. Instead, it is your responsibility to dispose of your waste equipment by handing it over to a designated collection point for the recycling of waste electrical and electronic equipment. The separate collection and recycling of your waste equipment at the time of disposal will help conserve natural resources and ensure that it is recycled in a manner that protects human health and the environment.

For more information about where you can drop off your waste for recycling, please contact your local authority, or where you purchased your product.

Currys Group Limited (co. no. 504877)  
1 Portal Way, London, W3 6RS, UK

**EU Representative**

Currys Ireland Limited (259460)  
3rd Floor Office Suite,  
Omni Park SC, Santry, Dublin 9, Republic of Ireland



# essentials

## Compact Microwave

Instruction Manual

CMB21 / CMW21





# Contents

---

<b>Unpacking</b> .....	<b>4</b>
<b>Getting ready</b> .....	<b>5</b>
<b>Introducing microwave cooking</b> .....	<b>6</b>
Cooking with a microwave .....	6
Checking your cooking utensils.....	7
Using aluminium foil in your microwave .....	7
Materials that can be used in the microwave .....	8
Microwave heating categories .....	9
Steam.....	10
Condensation.....	10
<b>Product overview</b> .....	<b>11</b>
The main unit.....	11
The control panel .....	11
<b>Checking your microwave</b> .....	<b>12</b>
<b>Microwave cooking</b> .....	<b>13</b>
<b>Defrosting</b> .....	<b>14</b>
<b>Cleaning your microwave</b> .....	<b>15</b>
<b>Frequently asked questions</b> .....	<b>16</b>
<b>Specifications</b> .....	<b>17</b>

**Thank you** for purchasing your new product.

We recommend that you spend some time reading this instruction manual in order that you fully understand all the operational features it offers.

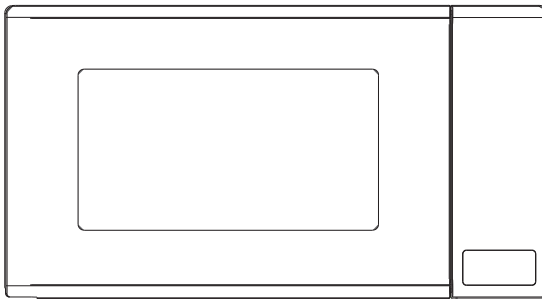
Read all the safety instructions carefully before use and keep this instruction manual for future reference.

## Unpacking

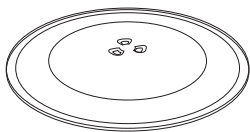
---

Remove all items from the packaging. Retain the packaging. If you dispose of it please do so according to local regulations.

The following items are included:



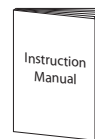
The Main Unit



Glass Turntable Plate



Turntable Support



Instruction Manual



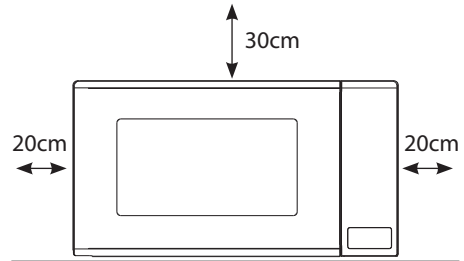
If items are missing, or damaged please contact Partmaster (UK only).  
Tel: 0344 800 3456 for assistance.

# Getting ready

This microwave is designed for home use only. It should not be used for commercial catering.

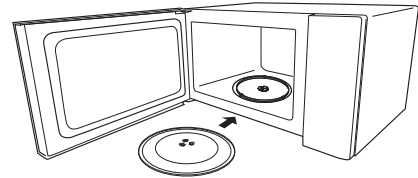
1. After unpacking your microwave, check that it has not been damaged whilst in the box. Make sure there are no dents, and the door closes properly. A damaged microwave could allow microwave energy to escape. Make sure that you have taken out all the packaging from the inside of the microwave. Please dispose of the wrappings / bags safely and keep out of the reach of babies and young children.

2. Choose a flat work surface for your microwave away from heat sources such as radiators or fires and away from cold areas. You should allow a 20cm space all around the microwave and 30cm above so that warm air can escape from the vents during cooking. This microwave is not designed to be built in.



3. Plug your microwave into a standard household electrical socket (230-240V~, 13 amp rated). Avoid using a socket that also has an adaptor and other equipment plugged in. Do not use a multi-adaptor.

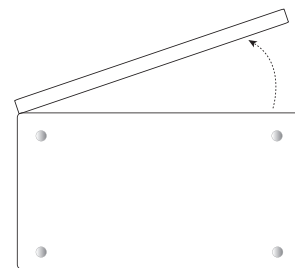
4. Put the turntable support inside the microwave and place the glass turntable plate on top of the support. The turntable support is shaped to sit securely on the spindle. You must always use the turntable plate and support whenever you use the microwave.



5. To protect your work surface, we recommend that you fix some non-slip cushion buttons (not included) to the underside of the microwave.



Remove the turntable plate and turntable support before turning the microwave upside down.



Underside View

# Introducing microwave cooking

Always remember the basic safeguards you would follow when using any cooking equipment or handling hot food.

This page gives some of the basic guidelines for microwave cooking.

## Cooking with a microwave



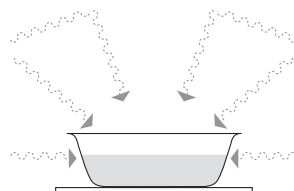
Cooking with a microwave is much faster than conventional cooking and, whilst you should make sure that food is fully cooked, you should be careful not to overcook it.

- Microwave energy can heat unevenly so stirring to distribute heat is very important. Always stir from the outside, inwards.
- If you are cooking a number of individual foods at the same time, such as baked potatoes or small cakes, arrange them evenly on the turntable plate so that they cook evenly. Never stack food in the microwave.
- Turn larger foods such as meat roasts and poultry during cooking so that the top and bottom cook evenly. It is also recommended to turn pieces of meat or poultry, especially if they have not been deboned.
- Meat and poultry which is cooked for 15 minutes or more will brown lightly in its own fat. Anything cooked for a shorter time can be brushed with a browning sauce to give an appetising colour.



If you are unsure how long the food should cook for, begin cooking at the lowest recommended time, then add more time if necessary. The moisture content of food can vary. Ensure food is thoroughly cooked all the way to the centre before serving.

- Strips of aluminium foil can be used to cover the thinner pieces of food to stop them overcooking before the thicker parts of the food have had a chance to cook. Use the aluminium foil sparingly and wrap around the food or container carefully to stop it touching the inside of the microwave which could cause sparks.
- Microwaves cook food using microwave energy that is similar to naturally occurring radio waves. Normally, these “waves” would fade as they disappear into the atmosphere but in a microwave they are concentrated on the food causing it to heat up.
- Microwave energy cannot pass through metal – so it can not escape from inside your microwave – but it can pass through materials like glass, porcelain, plastic, and paper. These are the things used to make microwave-safe cooking equipment.
- Microwave-safe cooking equipment will still get hot as the food it contains heats up.
- The microwave energy focuses on the moisture in the food causing lots of tiny vibrations. The vibrations get so great that the moisture – and the food – heat up.



## Checking your cooking utensils

Most heat-resistant, non-metallic cooking utensils are safe to use in your microwave. If made of plastic or glass, utensils will be marked as “microwave safe” or similar.



If you are not sure and/or there is no microwave-safe marking on the utensil, do NOT use it in the microwave.

For the types of utensils you can use in the microwave, please see the “Materials That Can Be Used” section.



- Never use equipment made of metal, except aluminium foil in your microwave oven.
- The microwave energy can not pass through the metal so it bounces off and sparks against the inside of the oven.
- Stop the microwave straight away if any equipment does cause sparks.
- Remember that some crockery has a metal trim around the edge. Even this trim can cause sparks.
- Never use scratched, cracked or damaged glass in a microwave. Damaged glass can explode.

## Using aluminium foil in your microwave

It is safe to use aluminium foil in your microwave as long as you follow these safety guidelines.

As with all metals, microwave energy cannot pass through aluminium foil, but provided you keep the aluminium foil away from the side of the microwave it will not cause sparks and there will not be any damage to your microwave.

Using aluminium foil is a good way of shielding parts of food that you do not want to cook as quickly as others – perhaps where the food is narrower and would otherwise overcook.

Place the aluminium foil over the area you want to shield, taking care that the aluminium foil will not touch the sides of the microwave when the turntable plate rotates. Only use one piece of aluminium foil at a time so that you do not get sparks between the separate pieces.

Follow these guidelines when using aluminium foil in your microwave:

- Remove aluminium foil lids from containers before using in the microwave. Some lids are made of card with an aluminium foil covering – these should be removed too. Use a microwave safe transparent lid if possible.
- Stir food during cooking if the container has a lid or film cover.
- Always use the glass turntable plate.
- Use shallow containers with a large surface area. Do not use containers that are more than 1.25in (3.5cm) deep.
- Use gloves when handling hot aluminium foil containers.
- Do not completely cover food with aluminium foil. The microwave energy cannot pass through the aluminium foil so the food will not cook.
- Do not let aluminium foil touch the inside of the microwave.
- Do not use more than one piece of aluminium foil in the microwave at the same time.

## Materials that can be used in the microwave

Utensils	Remarks
Browning dish	Follow manufacturer's instructions. The bottom of browning dish must be at least 3/16 inch (5mm) above the turntable. Incorrect usage may cause the turntable to break.
Dinnerware	Microwave-safe only. Follow manufacturer's instructions. Do not use cracked or chipped dishes.
Glassware	Heat-resistant oven glassware only. Make sure there is no metallic trim. Do not use cracked or chipped dishes.
Oven cooking bags	Follow manufacturer's instructions. Do not close with metal tie. Make slits to allow steam to escape.
Paper plates and cups	Use for short-term cooking/warming only. Do not leave oven unattended while cooking.
Paper towels	Use to cover food for reheating and absorbing fat. Use with supervision for a short-term cooking only.
Greaseproof paper	Use as a cover to prevent splattering or a wrap for steaming.
Plastic	Microwave-safe only. Follow the manufacturer's instructions. Should be labeled "Microwave Safe". Some plastic containers soften, as the food inside gets hot. "Boiling bags" and tightly closed plastic bags should be slit, pierced or vented as directed by package.
Plastic wrap	Microwave-safe only. Use to cover food during cooking to retain moisture. Do not allow plastic wrap to touch food.
Thermometers	Microwave-safe only (meat and candy thermometers).
Wax paper	Use as a cover to prevent splattering and retain moisture.



## Microwave heating categories

Your oven has been tested and labelled to meet the UK government's voluntary agreement on the reheating of pre-cooked food.

The heating characteristics and output power levels of microwave ovens are usually calculated using a relatively large portion of food (a 1000 gram load, IEC 60705) but many packs of pre-cooked food are sold in smaller packs, often about 350 grams.

The UK government, in partnership with food companies and microwave manufacturers, have set up a system of heating categories to help you choose the reheating time for pre-cooked food.




(IEC 60705) 700W is the output power of the oven.

D is the heating category for your oven. Check the cooking times for category D on the food's packaging to see how long it should be cooked for. Please see below example for reference.


### To Microwave:

Remove outer packaging.  
Pierce film lid SEVERAL TIMES.  
Place on a microwaveable plate.  
Heat on full power.  
Stir or turn halfway through heating.

	Heating Category		Wattage (IEC 60705)	
	B	D	650W	750W
				
Full power (in minutes)	2	2	2	2
Stir / Turn	Stir / Turn		Stir / Turn	
Full power (in minutes)	2	1.5	2	1.5
Standing time (in minutes)	1	1	1	1

### To Microwave from frozen:

Remove outer packaging.  
Pierce film lid SEVERAL TIMES.  
Place on a microwaveable plate.  
Heat on full power.  
Stir or turn halfway through heating.

	Heating Category		Wattage (IEC 60705)	
	B	D	650W	750W
				
Full power (in minutes)	3	2.5	3	2.5
Stir / Turn	Stir / Turn		Stir / Turn	
Full power (in minutes)	4	3.5	4	3.5
Standing time (in minutes)	1	1	1	1



Power input varies according to local voltage supply. The density, thickness and moisture content of food can affect its cooking time. Ensure all food is piping hot and cooked thoroughly before serving. It is essential that food is checked during and after the recommended cooking time, even if the auto menu was used.

## Steam

When you microwave food, steam is created as water in the food heats up and evaporates.

The steam formed during microwave cooking is entirely safe. It has to escape from the microwave to prevent pressure from building up inside the microwave. It does this through the vents on the back of the microwave and from around the door.

## Condensation

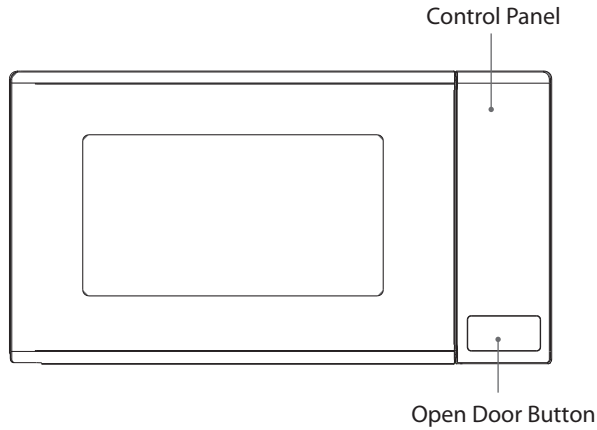
As the steam cools, you may find that condensation gathers in small pools inside your microwave and on the work surface beneath the door and vents. Always dry the microwave after cooking foods with a high moisture content.

Your microwave is designed to let steam escape from the vents and around the door without microwave energy escaping. There is no danger of microwave energy escaping with the steam.

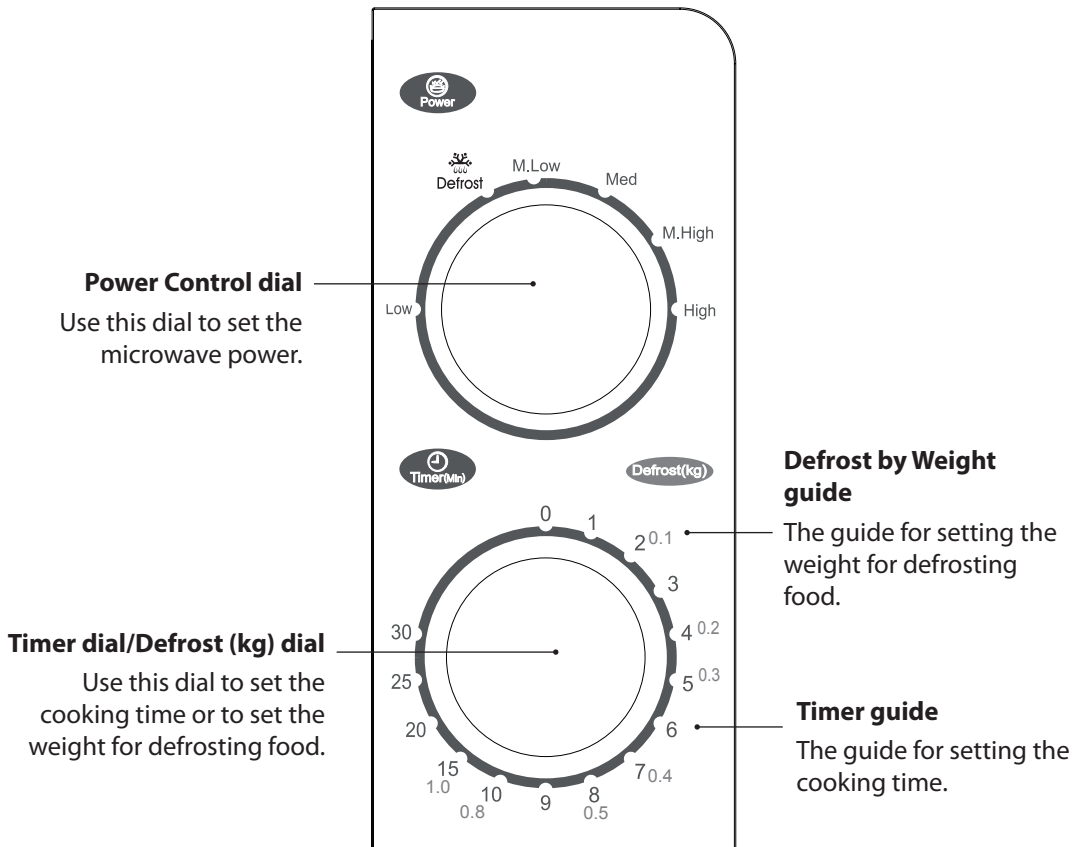


# Product overview

## The main unit



## The control panel

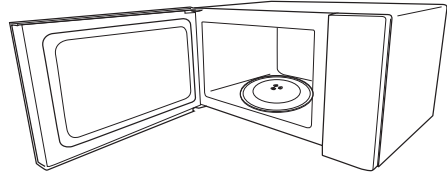


# Checking your microwave

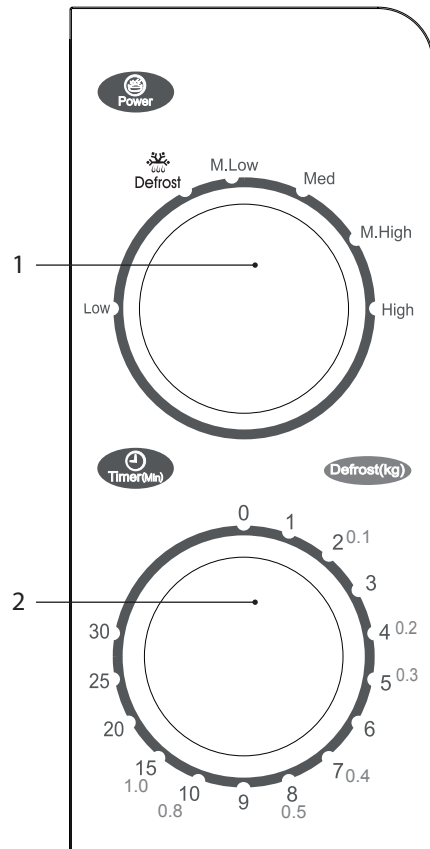
Check your microwave after unpacking.



For your safety, the microwave stops if the oven door is opened during cooking.



1. Push the Open Door Button to open the door.  
Put the turntable ring inside the oven and place the glass turntable on top of the ring. The turntable is shaped to sit securely on the spindle. You must always use the glass turntable and turntable ring whenever you use the microwave. Place a cup of water on the glass turntable. Make sure the cup is microwave-safe - it should not have any decorative metal trim.
2. Close the oven door.
3. Turn the **Power Control** (1) dial to the desired power settings.
4. Turn the **Timer** (2) dial half way between 0 and 2 to start a simple microwave cooking cycle and that allows you to check the operation of the microwave oven.




# Microwave cooking

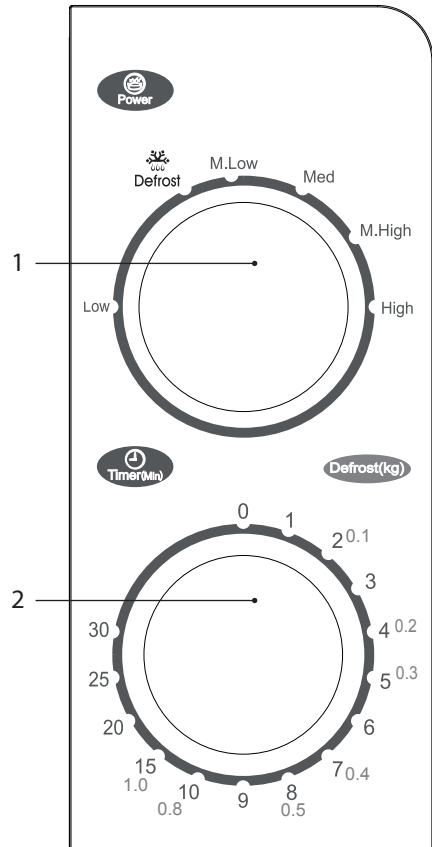
For simple Microwave Cooking, follow the steps below.

1. Turn the **Power Control** (1) dial to the desired power settings.
2. Turn the **Timer** (2) dial to the desired cooking time as stated in the food cooking guide.
3. The microwave oven will automatically start the cooking.
4. The microwave will sound once the cooking is completed.




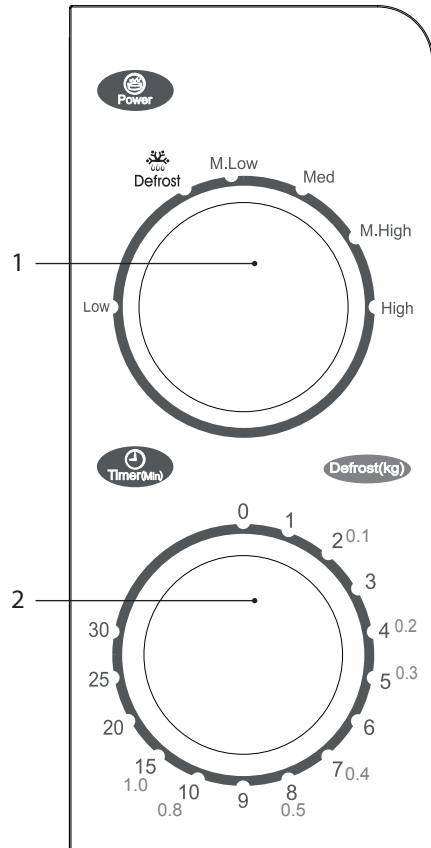
Always set the **Timer** (2) dial to 0 when the microwave is not in use.

Power Level	Function
Low (20%)	Soften ice-cream
Defrost  (42%)	Defrost
M.Low (52%)	Reheat soup stew, soften butter
Med (73%)	Heat up stew or fish
M.High (88%)	Reheat rice, chicken and ground meat
High (100%)	Reheat food, heat up milk and beverage, boil water, cook vegetables



# Defrosting

1. Turn the **Power Control** (1) dial to Defrost .
2. Turn the **Defrost (kg)** (2) dial to the desired weight of defrost food as stated in the food cooking guide.
3. The microwave oven will automatically start the cooking.
4. The microwave will sound once the cooking is completed.

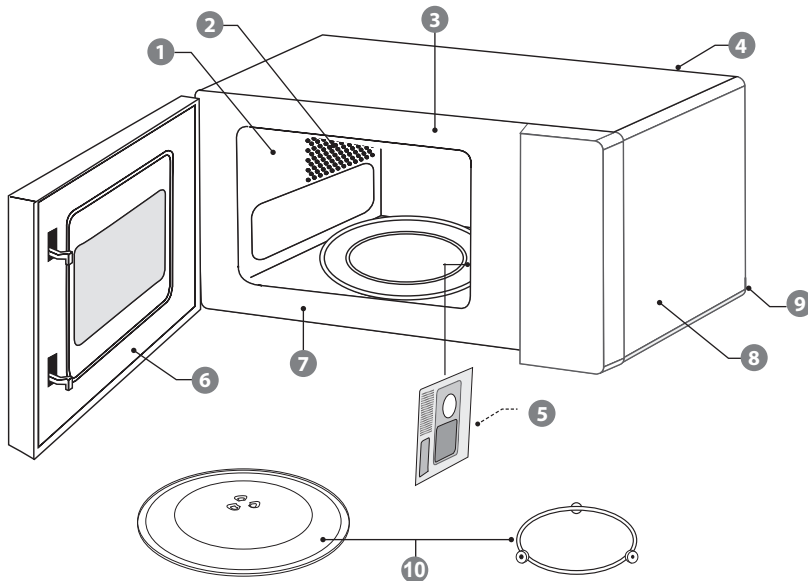


# Cleaning your microwave

Cleaning your microwave each time you use it will help to prevent a build up of stubborn marks that can be difficult to clean.

Unplug your microwave from the mains and wait for it to completely cool down before cleaning.

On the right hand side wall of the cavity is the wave guide cover. Microwaves are passed through this to enable your food to cook. It is important that this wave guide cover is kept clean at all times. Wipe it with mild detergent and water and leave to dry.



- 1 The microwave walls have a special coating which makes cleaning very easy. Use a soft damp cloth to wipe off any splashes or a paper towel to mop up any spills. Wipe off grease with a damp cloth and a little detergent. Dry thoroughly. If grease is left to accumulate, it can smoke and even catch fire.
- 2 Make sure you keep the outlet grids clean.
- 3 Keep the front of the microwave clean so that the door can close properly.
- 4 Be careful not to spill water into the vents.
- 5 Do not remove the wave guide cover: It is important to keep the cover clean in the same manner as the inside of the microwave. If grease is left to accumulate, it can smoke and even catch fire.
- 6 Keep the inside of the door clean with a damp cloth. Use warm soapy water for stubborn marks and dry thoroughly. The inside of the door has a special coating and must not be cleaned with abrasive pads or cleaning powders.
- 7 Clean behind the door ledge.
- 8 Use warm soapy water to clean the outside of the microwave. Do not use abrasive buttons or powders that could scratch the surface.
- 9 Unplug the microwave before cleaning the power lead and the microwave. Wipe with a damp cloth and leave to dry before plugging it back in.
- 10 Treat the glass turntable plate as you would any glass plate. After you have used it for more than 15 minutes, allow it to cool down before you use it again. Do not wash the glass turntable plate in very hot water, doing so could crack it. Wash the turntable support in warm water. Do not use very hot water which could warp it. Make sure the glass turntable plate and turntable support are dry before you put them back in the microwave.



Do not remove any fixed parts from the inside of your microwave during cleaning or at any other time.

# Frequently asked questions

If a problem does occur, it may often be due to something very minor. The following Q & A may be able to resolve the problem.

Questions	Answers
Why doesn't the food seem to cook?	Check that: <ul style="list-style-type: none"> <li>• the cooking time has been set.</li> <li>• the door is closed.</li> <li>• the mains socket is not overloaded causing the fuse to blow.</li> </ul>
Why does the food seem undercooked or overcooked?	Check that: <ul style="list-style-type: none"> <li>• the correct cooking time has been set.</li> <li>• the correct power setting has been used.</li> </ul>
How can I stop eggs from popping?	When you bake or poach eggs in the microwave, the yolk can sometimes pop as steam builds up inside it. You can stop the egg from popping by piercing the yolk with a toothpick before cooking. Never cook eggs that are still in their shells.
Why is it so important that I allow standing time after cooking?	With microwave cooking, many foods build up enough heat inside them to continue cooking even after they've been taken out of the microwave. Because microwave cooking works from the outside of food inwards, standing time lets you cook the centre of the food without the outside being overcooked.
Why does my microwave sometimes take longer to cook than it says in the recipe?	First check that the microwave was set just as the recipe said. Cooking times and heat settings are suggestions to help prevent overcooking but differences in the weight, size, shape and starting temperature of food will all affect how long it takes to cook – just as it does with a conventional oven. Use your judgement along with the recipe to check whether the food has been cooked properly.
Why do I get condensation on the inside of the door?	Condensation is perfectly normal, especially when you are cooking food with a high moisture content such as potatoes.
Does the microwave energy get through the window on the door?	No. The door has a special metal screen with holes in that lets you see inside but stops microwave energy from getting out.
Steam comes out of the side of the door and vents. Can microwave energy get out too?	No. The door and vents are carefully designed to let steam out during cooking but keep microwave energy in. The gaps are not big enough for microwave energy to escape.
What happens if the microwave is switched on while the microwave is empty?	The microwave will be damaged. Do not switch the microwave on when there's nothing inside the microwave. It is a good idea to keep a cup of water in the microwave just in case someone accidentally starts the microwave.
Why doesn't the microwave's light illuminate?	Open the door. If the light does not illuminate, the bulb has probably blown. Call a qualified technician – do not try to change the bulb yourself.
There are sparks inside the microwave when I use the microwave. Will this cause any damage?	Yes. Make sure that you are not using any metal utensils and that your containers don't have a metal trim. You must not use metal in your microwave when you cook (except aluminium foil).
Light is showing through the vents and door. Does this mean the microwave energy can escape?	No. It is normal for the light to be visible and is nothing to be concerned about.
Why do I get interference on my TV and radio when I use the microwave?	Microwaves use radio waves similar to those received by TVs and radios. You can lessen the interference by moving your microwave further away from the TV or radio.



# Specifications

---

<b>Model</b>	<b>CMB21 / CMW21</b>
<b>Input</b>	230-240V ~ 50Hz
<b>Microwave Output</b>	700 W
<b>Microwave Frequency</b>	2450 MHz
<b>Outside Dimensions (height x width x depth)</b>	243mm x 443mm x 340mm
<b>Power consumption</b>	
<b>Microwave Input</b>	1100 W

Features and specifications may change without prior notice.

Light source in this product is replaceable only by qualified engineers.





