

Lec

USER GUIDE

L50262W

Thank you for buying this high quality appliance

This handbook is designed to help you through each step of owning your new appliance, from installation to use.

Please read through this handbook carefully before you start using your appliance, as we have endeavoured to answer as many questions as possible, and provide you with as much support as possible.

If, however, you find something missing or not covered, please contact our Customer Care Centre, using the number at the back of this handbook, who will be only too happy to help you.

Our policy is one of constant development and improvement, therefore we cannot guarantee the strict accuracy of all our illustrations and specifications, changes may have been made subsequent to publishing.

Index

BEFORE USING THE APPLIANCE	3
Safety Instructions	3
Recommendations	4
Installation and Switching On The Appliance	5
Before Switching On	5
THE VARIOUS FUNCTION AND POSSIBILITIES	6
Thermostat Setting	6
CLEANING AND MAINTENANCE	7
Defrosting	7
Replacing The Light Bulb	8
TRANSPORTATION AND CHANGING OF INSTALLATION POSITION	8
BEFORE CALLING YOUR AFTER SALES SERVICE	9
Technical data	10
THE PARTS OF THE APPLIANCE AND THE COMPARTMENTS	11
Changing door position	12



Please ask your municipal authority about the disposal of the WEEE for the reuse, recycle and recovery purposes.

BEFORE USING THE APPLIANCE

Safety Instructions

- If the model contains R600a-see name plate under refrigerant (the coolant isobutane), natural gas that, is very environmentally friendly but also combustible. When transporting and installing the unit care must be taken to ensure that none of the refrigeration circuit components become damaged. In the event of damage avoid naked flames or ignition sources and ventilate the room in which the unit is placed for a few minutes.

Warning: *Keep ventilation openings in appliance enclosure or in structure for building in, clear of obstruction.*

Warning: Do not use mechanical devices or other artificial means to accelerate the defrosting process.

Warning: Do not use electrical appliances in the refrigerator or freezer compartment of the appliance.

- If this appliance is to replace an old refrigerator with a lock; break or remove the lock as a safety measure before storing it, to protect children while playing might lock themselves inside.
- Old refrigerators and freezers contain insulation gases and refrigerant, which must be disposed of properly. Entrust the disposal of a scrap unit categorically to competence of your local waste disposal service and contact your local authority or your dealer if you have any questions. Please ensure that the pipe of work of your refrigerating unit does not get damaged prior to being picked-up by the relevant waste disposal service.

Important note:

Please read this booklet before installing and switching on this appliance. The manufacturer assumes no responsibility for incorrect installation and usage as described in this booklet.

This appliance is intended to be used in households but is not intended to be used in applications such as;

- Staff kitchen areas in shops, offices and other working environments;
- Farm houses and by clients in hotels, motels and other residential type environments;
- Bed and breakfast type environments;
- Catering and similar non-retail applications.

Recommendations

Warning: Do not use mechanical devices or other means to accelerate the defrosting process, other than those recommended by the manufacturer. Do not use electrical appliances inside the food storage compartments of the appliance, unless they are of the type recommended by the manufacturer. Keep ventilation openings, in the appliance enclosure or in the built-in structure, clear of obstruction. Do not damage the refrigerant circuit.

Warning: Do not use adapters or shunts, which could cause overheating or burning.

Warning: Do not plug old, warped power supply cables.

Warning: Do not twist and bend the cables.



Warning: Do not allow children to play with the appliance. Children must NEVER sit on drawers or hang from the door.

Warning: Do not use sharp metal objects for removing ice on the freezer compartment; they could puncture the refrigerator circuit and cause unreparable damage to the unit.

Warning: Do not plug the power supply with wet hands.

Warning: Do not place containers (glass bottles or tin containers) of liquids into the freezer especially gassy liquids as they could cause the container to burst during freezing.

Warning: Bottles that contain a high percentage of alcohol must be sealed well and placed vertically in the refrigerator.

Warning: Do not touch the cooling surfaces, especially with wet hands as you could be burnt or hurt.

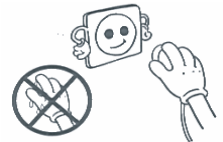
Warning: Do not eat ice, which have just been removed from the freezer.

Warning: This appliance is not intended for use by persons (including children) with reduced physical, sensory or mental capabilities, or lack of experience and knowledge, unless they have been given supervision or instruction concerning use of the appliance by a person responsible for their safety. Children should be supervised to ensure that they do not play with the appliance.

Warning: If the supply cord is damaged it must be replaced by the manufacturer or service agent or similiary qualified people in order to avoid a hazard.

Warning: Keep ventilation openings, in the appliance enclosure or in the built-in structure, clear of obstruction.

Warning: Do not use mechanical devices or other means to accelerate the defrosting process, other than those recommended by the manufacturer.

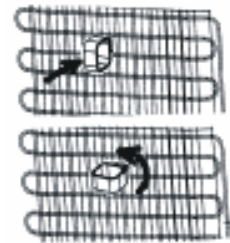


Warning: Do not damage the refrigerant circuit.

Warning: Do not store explosive substances such as aerosol cans with a flammable propellant in this appliance.

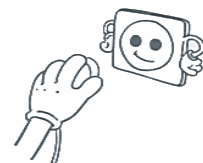
Installation and Switching On The Appliance

- This appliance is connecting to 220-240V or 200-230V and 50 Hz. Please check nameneplate of appliance and be sure voltage range suitable to your mains voltage.
- Before making the connection to the power supply, ensure that the voltage on the nameplate corresponds to the voltage of electrical system in your home.
- Insert the plug into a socket with an efficient ground connection. If the socket has no ground contact or the plug does not match, we suggest you to call an authorised electrician for assistance.
- The plug should be accessible after the appliance is positioned.
- Manufacturer is not responsible for failure to complete the ground connection as described in this booklet.
- Do not place the appliance in direct sunlight.
- Do not use in open air and shall not be exposed to the rain.
- Place the refrigerator far from heat sources and in a well-ventilated position. The refrigerator should be at least 50 cm from radiators, gas or coal stoves and 5 cm far from electrical stoves.
- Keep the top free for at least 15 cm.
- Do not place heavy and lots of things on the appliance.
- If the appliance is installed next to another refrigerator or freezer, observe a miminum distance of 2 cm to prevent condensation.
- Do not put very (!) hot food or bowl on the top table. It can damage the toptable.
- Fit the plastic wall spacers to the condenser at the back of the refrigerator in order to prevent leaning to the wall for good performance.
- The appliance must be stand firmly and level on the floor Use levelling-feet to compensate for an even floor.
- The outside of the appliance and the accessories inside should be cleaned with a solution of water and liquid soap ; the inside of the appliance with sodium bicarbonate dissolved in lukewarm water. After drying replace all the accessories.



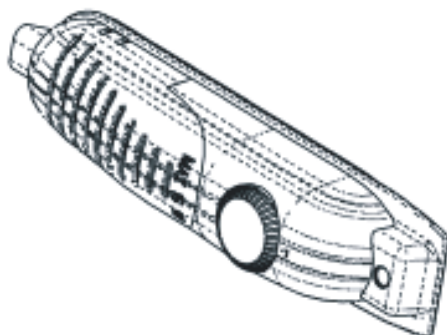
Before Switching On

- Wait after 3 hours before plugging the appliance in to the power to ensure proper performance.
- There can be an odor when you first switch on the appliance. It will disappear after the appliance starts to cool.



THE VARIOUS FUNCTION AND POSSIBILITIES

Thermostat Setting



- Thermostat automatically regulates the inside temperature of the refrigerator compartment and freezer compartment. By rotating the knob from position 1. to 5., colder temperatures can be obtained.
- « 0 » position shows thermostat is closed and no cooling is available.
- For short-term storage of food in the freezer compartment, you can set the knob between minimum and medium position. (1-3)
- For long-term storage of food in the freezer compartment, you can set knob medium position. (3-4)

Note that; the ambient temperature, temperature of the freshly stored food and how often the door is opened, affects the temperature in the refrigerator compartment. If required, change the temperature setting.

- When you first switch on the appliance, for starting a suitable cooling, the appliance should work 24 hours continuously until it cools down to sufficient temperature.
- In this time do not open the door so often and place a lot of food inside the appliance.
- If the unit is switched off or unplugged, you must allow at least 5 minutes before restarting or re-plugged the unit in order not to damage the compressor.
- *Larders (coolers) have not any freezer compartment but can cool up to 4-6°C.*

CLEANING AND MAINTENANCE

- Disconnect unit from the power supply before cleaning.

Warning: Do not clean the appliance by pouring water.

- The refrigerator compartment should be cleaned periodically using a solution of bicarbonate of soda and lukewarm water.

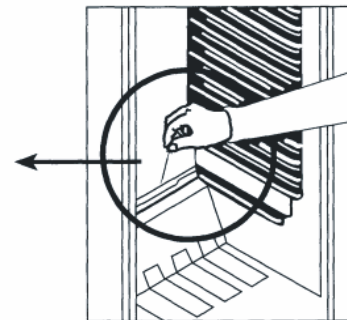
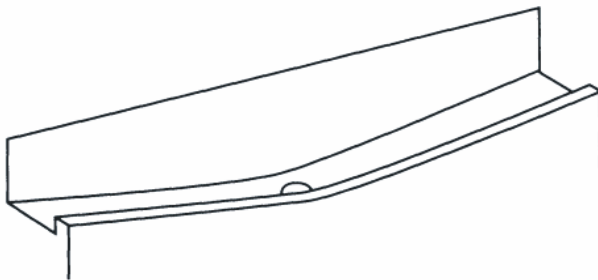
- Clean the accessories separately with soap and water Do not clean them in the washing machine.

Warning: Do not use abrasive products, detergents or soaps. After washing, rinse with clean water and dry carefully. When the cleaning operations have been completed reconnect the plug of the unit with dry hands.

- You should clean the condenser with broom at least twice a year in order to provide energy saving and increase the productivity.

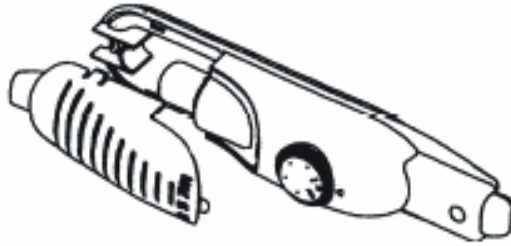


Defrosting



- Defrosting occurs automatically in refrigerator compartment during operation ; the defrost water is collected by the evaporating tray and evaporates automatically.
- The evaporating tray and the defrost water drain hole should be cleaned periodically with defrost drain plug to prevent the water from collecting on the bottom of the refrigerator instead of flowing out.
- You can also pour ½ glass of the water to drain hole to clean inside.

Replacing The Light Bulb



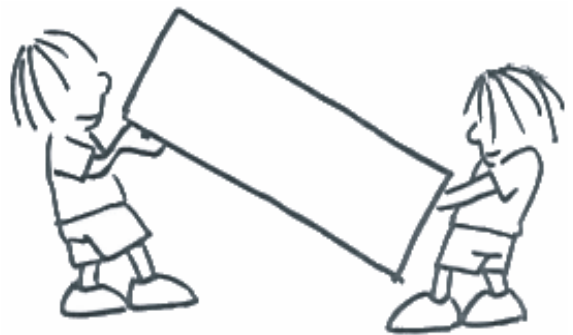
When replacing the light of the refrigerator compartment;

1. Unplug the unit from the power supply,
2. Press the hooks on the sides of the light cover top and remove the light cover
3. Change the present light bulb with a new one of not more than 15 W.
4. Replace the light cover and after waiting 5 minutes plug the unit.

TRANSPORTATION AND CHANGING OF INSTALLATION POSITION

Transportation and Changing of Installation Position

- The original packages and foamed polystyrene (PS) can be concealed if required.
- In transportation the appliance should be tied with a wide stripe or a strong rope. The rules written on the corrugated box must be applied while transporting.
- Before transporting or changing old installation position, all the moving objects (ie,shelves,crisper...) should be taken out or fixed with bands in order to prevent the shake.



BEFORE CALLING YOUR AFTER SALES SERVICE

If your refrigerator is not working properly, it may be a minor problem, therefore check the following, before calling an electrician to save time and money.

What to do if your refrigerator does not operate ;

Check that ;

- There is no power,
- The general switch in your home is not disconnected ,
- The thermostat setting is on « 0 » position,
- The socket is not sufficient. To check this, plug in another appliance that you know which is working into the same socket.

What to do if your refrigerator performs poorly ;

Check that ;

- You have not overloaded the appliance ,
- The doors are closed perfectly ,
- There is no dust on the condenser ,
- There is enough place at the rear and side walls.

If there is noise ;

The cooling gas which circulates in the refrigerator circuit may make a slight noise (bubbling sound) even when the compressor is not running. Do not worry this is quite normal. If these sounds are different check that ;

- The appliance is well leveled ,
- Nothing is touching the rear ,
- The stuffs on the appliance are vibrating.

If there is water in the lower part of the refrigerator ;

Check that ;

The drain hole for defrost water is not clogged (Use defrost drain plug to clean the drain hole)

If your fridge is not cooling enough;

Your fridge is designed to operate in the ambient temperature intervals stated in the standards, according to the climate class stated in the information label. We do not recommend operating your fridge out of stated temperatures value limits in terms of cooling effectiveness.

Climate Class	Ambient Temperature (°C)
T	Between 16 and 43 (°C)
ST	Between 16 and 38 (°C)
N	Between 16 and 32 (°C)
SN	Between 10 and 32 (°C)

Recommendations

- In order to increase space and improve the appearance, the « cooling section » of refrigerators is positioned inside the back wall of the refrigerator compartment. When the appliance is running, this wall is covered with frost or water drops, according to weather the compressor is running or not. Do not worry. This is quite normal. The appliance should be defrosted only if an excessively thick layer forms on the wall.
- If the appliance is not used for long time (for example during the summer holidays) set thermostat knob to « 0 » position. Defrost and clean the refrigerator leaving the door open to prevent the formation of mildew and smell.

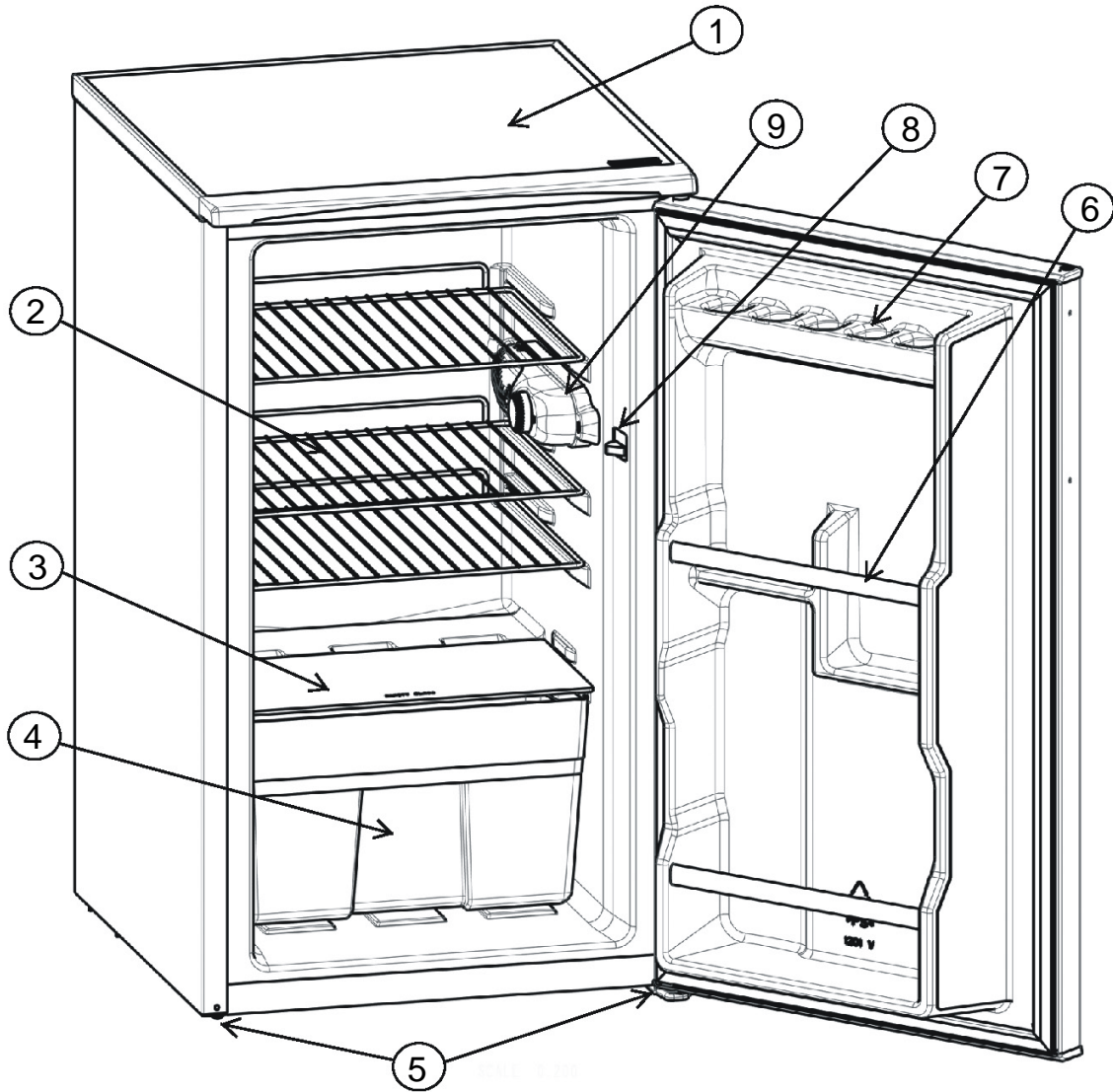
Technical data

Supplier's name or trade mark	Lec
Model / Item	L50262W
Type of appliance	GT/N1201K
The energy efficiency class	A+
Voltage	220-240V / 50HZ
Power	91 W
Energy consumption	0,322 kw / 24h
Net storage volume of fresh food	82 lt
Star rating of frozen food storage compartment	-
Refrigeration system	Static
Power cut safe Z h' (-18°C to -9°C)	-
Freezing capacity'	-
Climate class'	N
Size (W x D x H) mm	480 x 560 x 838
Net weight	27.42
Noise'	41 dB (A)

Conformity Information

- Normal Class is defined for the environment temperatures between 16°C and 32°C in accordance with the TS EN ISO 15502 Standards.
- The appliance is designed in compliance with the EN15502, IEC60335-1 / IEC60335-2-24, 2004/108/EC standards.

THE PARTS OF THE APPLIANCE AND THE COMPARTMENTS

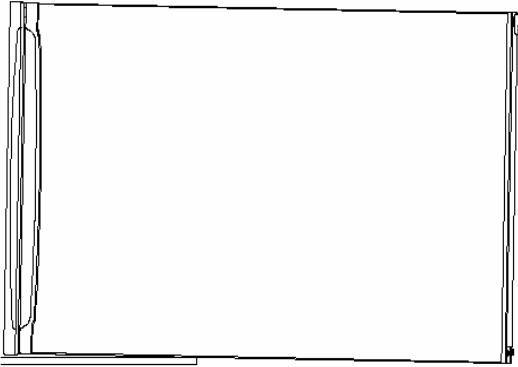


This presentation is only for information about the parts of the appliance.
Parts may vary according to the appliance model.

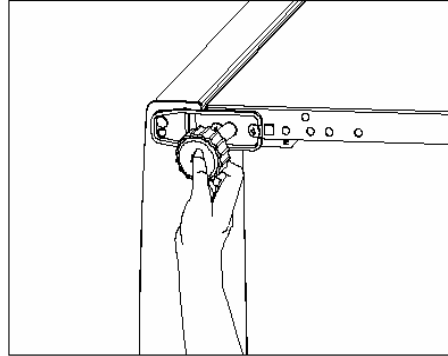
- 1) TOP TABLE
- 2) REFRIGERATOR SHELF
- 3) CRISPER COVER
- 4) CRISPER
- 5) LEVELING FEET
- 6) DOOR SHELF
- 7) EGG SHELF
- 8) REFRIGERATOR LAMP BUTTON
- 9) REFRIGERATOR LAMP & THERMOSTAT BOX

Changing door position

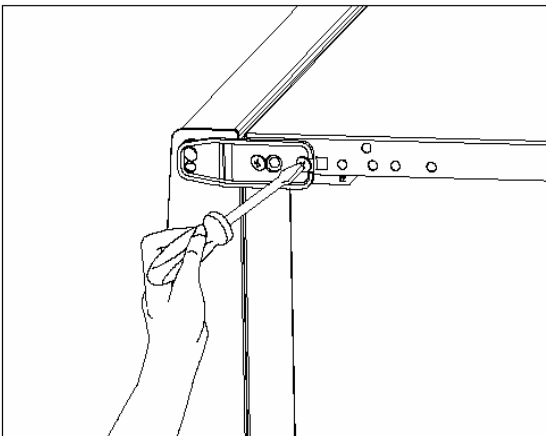
Step-1: Lie down the appliance on it's left side put a piece of protective material under neath the appliance, i.e. card, towel, etc.



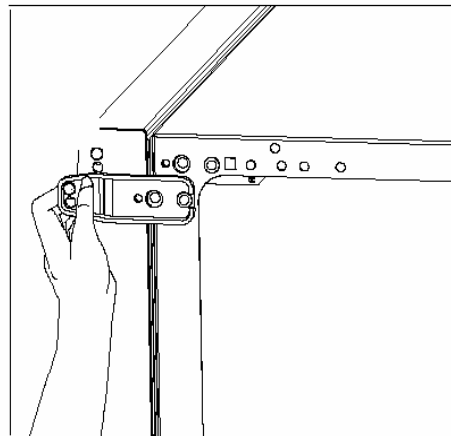
Step-2: Dismantle both levelling feet.



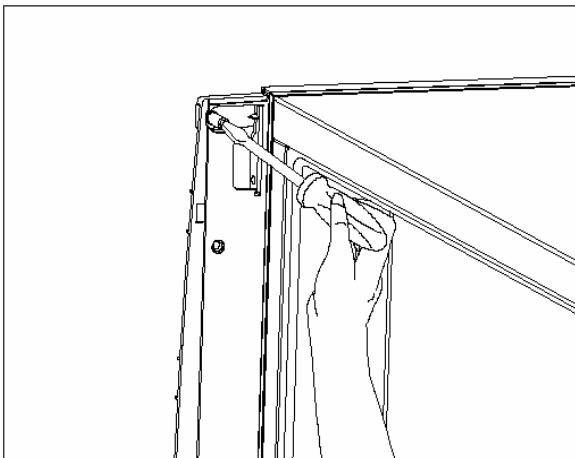
Step-3: Unscrew the two screws which are fixing the bottom hinge.



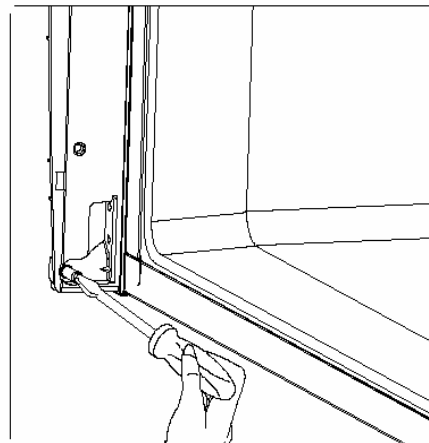
Step-4: Dismantle the bottom hinge.



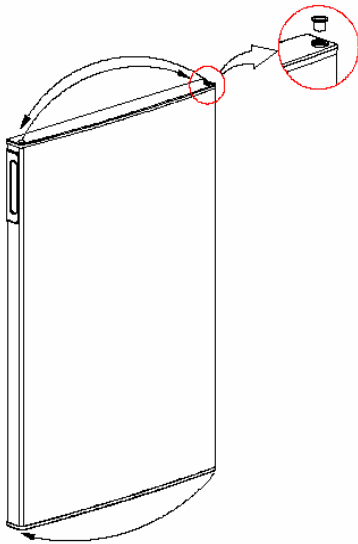
Step-5: After removing the door from the cabined and unscrew the pin of the right top hinge.



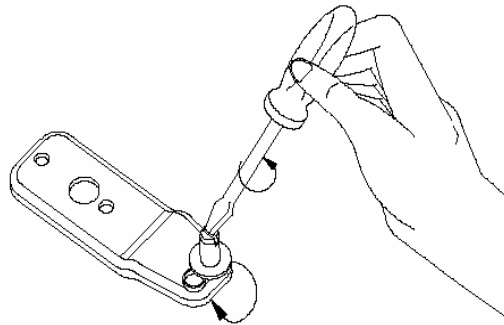
Step-6: Screw the pin on the left top hinge.



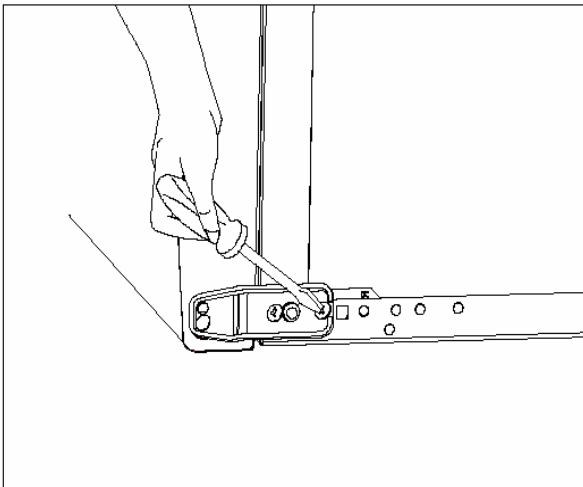
Step-7: Replace the bushing and bushing caps on the door as shown.



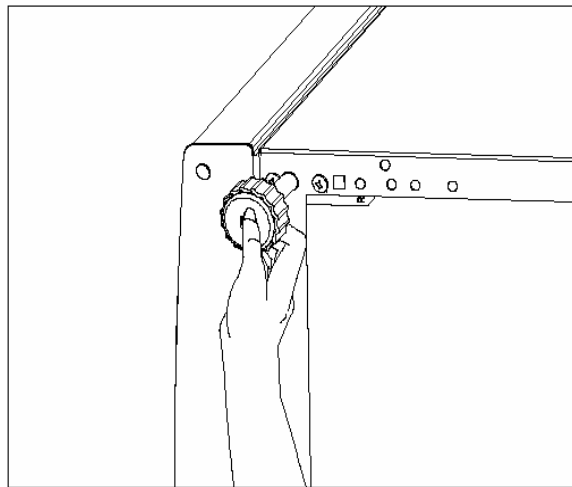
Step-8: Unscrew the pin of the bottom hinge and screw it on the other hole.



Step-9: Assemble the door and the bottom hinge with two screws on the left side.



Step-10: Assemble both levelling feet to their places.



LEC Customer Care

Please keep this handbook in a safe place.

Please fill in the model number and serial number in the spaces provided below as they will assist us should you need to call.

0844 815 3737

When you dial this number you will hear a recorded message and be given a number of options. This indicates that your call has been accepted and is being held in a queue. Calls are answered in strict rotation as our Customer Care Representatives become available.

Enter appliance numbers here for future reference:

Model No	<input type="text"/>	<input type="text"/>	<input type="text"/>	<input type="text"/>	<input type="text"/>	<input type="text"/>	<input type="text"/>	<input type="text"/>	<input type="text"/>
Serial No	<input type="text"/>	<input type="text"/>	<input type="text"/>	<input type="text"/>	<input type="text"/>	<input type="text"/>	<input type="text"/>	<input type="text"/>	<input type="text"/>

These numbers can be found on your appliances.
Outside the UK and Northern Ireland, refer to your local supplier.

The logo for LEC, featuring the letters 'L', 'e', and 'c' in a bold, stylized, lowercase font. The 'L' is the tallest, followed by the 'e' and then the 'c'.

Stoney Lane, Prescott, Merseyside, L35 2XW

