

# STATESMAN

kitchen appliances

---



**FF1755X**  
**FRIDGE FREEZER**

## Instruction Manual

Please read these instructions carefully before use and retain for future reference.  
Before switching on your appliance – Always check for any damage that may have been caused in transit.

## CONTENTS

<b>Important Safety Instructions</b> .....	3-5
<b>Technical Specification</b> .....	6
<b>Appliance Overview</b> .....	7
<b>Installation</b> .....	8-12
- Door Reversal .....	8-10
- Space Requirement .....	11
- Leveling the Unit .....	11
- Positioning .....	12
- Location .....	12
- Electrical Connection .....	12
<b>Using Your Appliance</b> .....	13-17
- First use .....	13
- Temperature Setting .....	13
- Freezing Fresh Food .....	13
- Storing Frozen Food .....	14
- Thawing .....	14
- Temperature Setting Recommendation .....	14
- Accessories .....	15
- Using the Water Dispenser .....	15-16
- Hints for Freezing .....	16
- Hints for Refrigeration .....	17
<b>Cleaning and Maintenance</b> .....	18
<b>Fuse Replacement</b> .....	18
<b>Troubleshooting Guide</b> .....	19
<b>Disposal Information</b> .....	19

# IMPORTANT SAFETY INSTRUCTIONS

**Read and follow all of the instructions even if you feel you are familiar with the product, and find a place to keep this manual handy for future reference.**

**Important:** This product is intended for domestic use only; to store and freeze food products only. When using electrical appliances, basic safety precautions should always be followed:

- This appliance can be used by children aged from 8 years and above and persons with reduced physical, sensory or mental capabilities or lack of experience and knowledge if they have been given supervision or instruction concerning use of the appliance in a safe way and understand the hazards involved
- Children ages from 3 to 8 years are allowed to load and unload this appliance
- Children should be supervised to ensure that they do not play with the appliance
- Cleaning and user maintenance shall not be made by children unless they are aged from 8 years and above and supervised
- Keep all packaging well away from children. There is a risk of suffocation
- If you are discarding the appliance pull the plug out of the socket, cut the connection cable (as close to the appliance as you can) and remove the door to prevent playing children to suffer electric shock or close themselves into it.
- If this appliance featuring magnetic door seals is to replace an older appliance having a spring lock (latch) on the door or lid, be sure to make that spring lock unusable before you discard the old appliance. This will prevent it from becoming a death trap for a child.

**WARNING!** Keep ventilation openings, in the appliance enclosure or the built-in structure, clear of obstruction



**WARNING!** Do not use mechanical devices or other means to accelerate the defrosting process, other than those recommended by the manufacturer

**WARNING!** Do not damage the refrigerant circuit



**WARNING!** Do not use other electrical appliances (such as ice cream makers) inside of refrigerating appliances, unless they are approved for this purpose by the manufacturer

**WARNING!** Do not touch the light bulb if it has been on for a long period of time because it could be very hot



**WARNING!** When positioning the appliance, ensure the supply cord is not trapped or damaged

**WARNING!** Do not locate multiple portable socket-outlets or portable power suppliers at the rear of the appliance

- Do not store explosive substances such as aerosol cans with a flammable propellant in this appliance
- The refrigerant isobutane (R-600a) is contained within the refrigerant circuit of the appliance, a natural gas with a high level of environmental compatibility, which is nevertheless flammable
- During transportation and installation of the appliance, be certain that none of the components of the refrigerant circuit become damaged
  - avoid open flames and sources of ignition
  - thoroughly ventilate the room in which the appliance is situated
- It is dangerous to alter the specifications or modify this product in any way. Any damage to the cord may cause a short circuit, fire and/or electric shock
- This appliance is intended to be used in households and similar applications such as:
  - staff kitchen areas in shops, offices and other working environments,
  - farm houses and by clients in hotels, motels and other residential type environments,
  - bed and breakfast type environments,
  - catering and similar non-retail applications



**WARNING!** Any electrical components (plug, power cord, compressor etc) must be replaced by a certified service agent or qualified service personnel

**WARNING!** The light bulb supplied with this appliance is a 'special use lamp bulb' usable only with the appliance supplied. This 'special use lamp' is not usable for domestic lighting

- Power cord must not be lengthened
- Make sure that the power plug is not squashed or damaged by the back of the appliance. A squashed or damaged power plug may overheat and cause a fire
- Make sure that you can access the mains plug of the appliance
- Do not pull the mains cable
- If the power plug socket is loose, do not insert the power plug. There is a risk of electric shock or fire
- You must not operate the appliance without the lamp
- This appliance is heavy. Care should be taken when moving it
- Do not remove or touch items from the freezer compartment if your hands are damp/wet, as this could cause skin abrasions or frost/freezer burns
- Avoid prolonged exposure of the appliance to direct sunlight
- Do not put hot objects on the plastic parts of the appliance
- Do not place food products directly against the rear wall
- Frozen food must not be re-frozen once it has been thawed out
- Store pre-packed frozen food in accordance with the frozen food manufacturer's instructions
- Appliance's manufacturers storage recommendations should be strictly adhered to. Refer to relevant instructions
- Do not place carbonated or fizzy drinks in the freezer compartment as this creates pressure in the container and may cause it to explode, resulting in damage to the appliance
- To avoid contamination of food, please respect the following instructions:
- Opening the door for long periods can cause a significant increase of the temperature in the compartments of the appliance
- Clean regularly surfaces that come into contact with food and accessible drainage systems
- Clean water tanks if they have not been used for 48 hours; flush the water system connected to a water supply if water has not been drawn for 5 days
- Store raw meat and fish in suitable containers in the refrigerator, so that it is not coming into contact with or can drip onto other food
- Two-star frozen food compartments (if they are included in the appliance) are suitable for storing pre-frozen food, storing or making ice cream and making ice cubes
- One-, two- and three-star compartments (if they are included in the appliance) are not suitable for the freezing of fresh food
- If the appliance is left empty for long periods, switch off, defrost, clean, dry and leave the door open to prevent mould developing within the appliance

### **Care and Cleaning**

- Before maintenance, switch off the appliance and disconnect the mains plug from the mains socket
- Do not clean the appliance with metal objects
- Do not use sharp objects to remove frost from the appliance. Use a plastic scraper
- Regularly examine the drain in the refrigerator for defrosted water. If necessary, clean the drain. If the drain is blocked, water will collect in the bottom of the appliance

### **Installation**

**Important!** For electrical connection carefully follow the instructions given in specific paragraphs Unpack the appliance and check if there are damages on it. Do not connect the appliance if it is damaged. Report possible damages immediately to the place you bought it. In that case retain packaging

- It is advisable to wait at least four hours before connecting the appliance to allow the oil to flow back into the compressor
- Adequate air circulation should be around the appliance, lacking this leads to overheating. To achieve sufficient ventilation follow the instructions relevant to installation
- Wherever possible the spacers of the product should be against a wall to avoid touching or catching warm parts (compressor, condenser) to prevent possible burn
- The appliance must not be located close to radiators or cookers
- Make sure that the mains plug is accessible after the installation of the appliance



### Service

- Any electrical work required to do the servicing of the appliance should be carried out by a qualified electrician or competent person
- This product must be serviced by an authorised service centre, and only genuine spare parts must be used

### Energy Saving

- Don't put hot food back into the appliance
- Don't pack food close together as this prevents air from circulating
- Make sure food doesn't touch the back of the compartments
- If the electricity goes off, don't open the doors
- Don't open the door frequently
- Don't keep the doors open for too long at a time
- Don't set the thermostat to exceedingly cold temperatures
- All accessories, such as drawers, shelves, balconies etc, should be kept there for lower energy consumption

### Environment Protection

 This appliance does not contain gasses which could damage the ozone layer, in either its refrigerant circuit or insulation materials. The appliance shall not be discarded together with the urban refuse and rubbish. The insulation foam contains flammable gasses; the appliance shall be disposed according to the appliance regulations obtained from your local authorities. Avoid damaging the cooling unit, especially the heat exchanger. The materials used on this appliance marked by the  symbol are recyclable

### Packaging Materials

The materials with the symbol are recyclable. Dispose the packaging in a suitable collection container to recycle it

### Disposal of the Appliance

1. Disconnect the mains plug from the mains socket
2. Cut off the mains cable and discard it



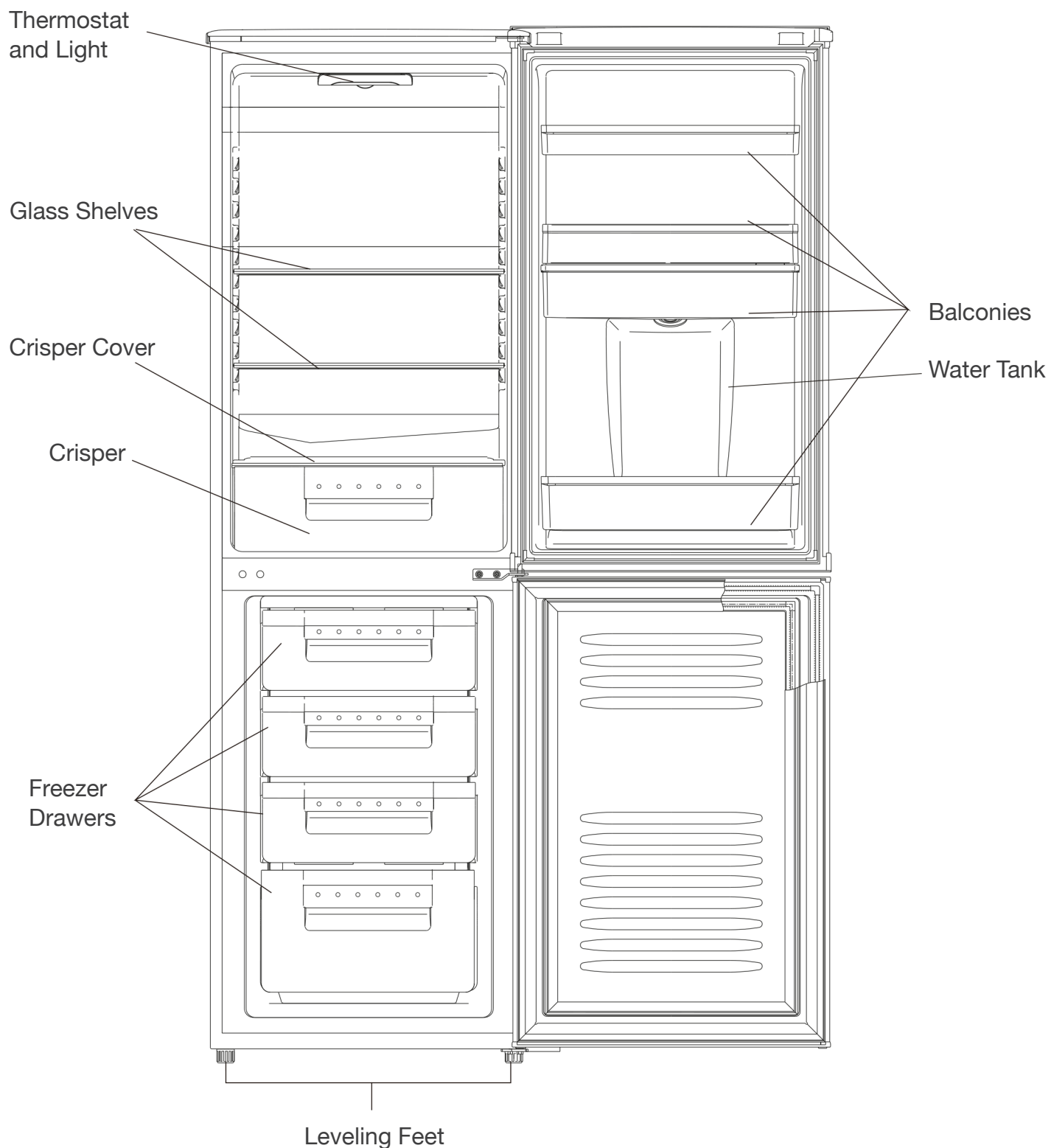
**WARNING!** During use, service and disposal of the appliance, please pay attention to the left symbol, which is located on the rear of the appliance (rear panel or compressor) and is yellow or orange in colour.

It is a risk of fire warning symbol. There are flammable materials in refrigerant pipes and compressor. Please be far away from fire sources during using, service and disposal

# TECHNICAL SPECIFICATION

Supplier Name / Trade Mark	Statesman
Model Number	FF1755X
Category Type	Fridge Freezer
Energy Efficiency Class (Old)	A+
Energy Efficiency Class (New)	F
EU Eco-Label Award	N/A
Annual Energy Consumption	276kWh
Freezing Capacity	3.2Kg/24h
Fridge Storage Volume (Litre) and Applicable Star Rating Compartment	161
Freezer Storage Volume (Litres)	71
Applicable Star Rating Compartment	N/A
Refrigeration System	Frost Free
Temperature Rise Time	N/A
Climate Class	N,ST
Noise Emissions (dB)	40
Built-In Appliance	N/A
Wine Storage Appliance	N/A
Voltage (V)	220-240
Wattage Power (W)	105
Frequency (Hz)	50
Power Source	AC

# PRODUCT OVERVIEW



This illustration is only for reference, for details please check your appliance

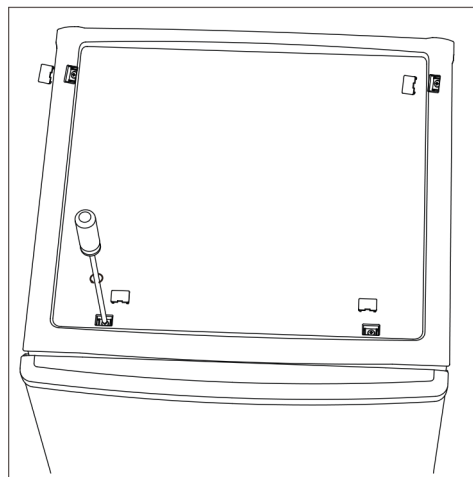
# INSTALLATION

## Door reversal

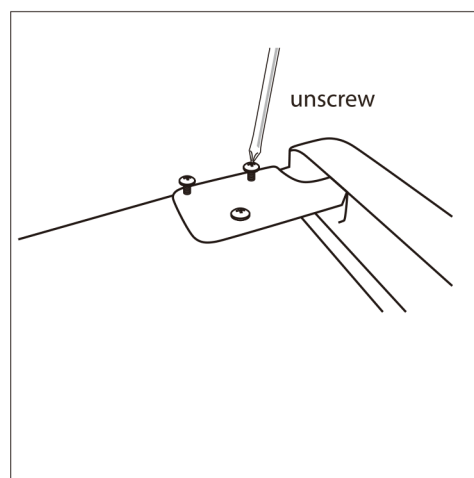
**Tools required:** Phillips screwdriver, flat head screwdriver, hexagonal spanner

- Ensure the unit is unplugged and empty.
- To take the door off, it is necessary to tilt the unit backwards. You should rest the unit on something solid so that it will not slip during the door reversing process.
- All parts removed must be saved to do the re installation of the door.
- Do not lay the unit flat as this may damage the coolant system.
- It's better that 2 people handle the unit during assembly.

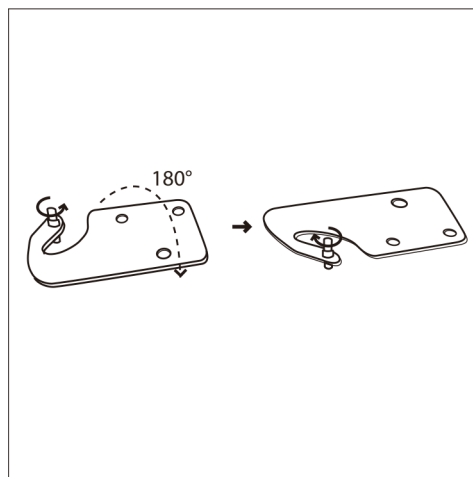
1. Remove four screws in top cover and remove top cover



2. Unscrew top hinge and then remove door and place it on a soft pad to avoid scratching.

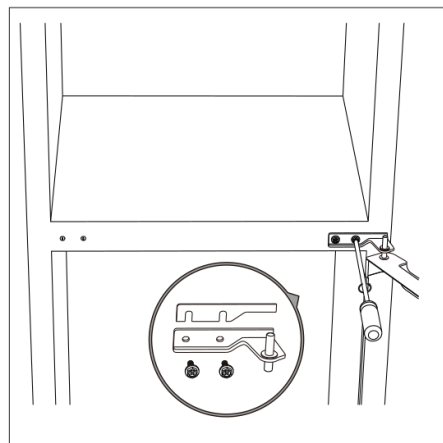


3. Remove the pin with a screwdriver and flip the hinge bracket. Then refit the pin into the hinge bracket

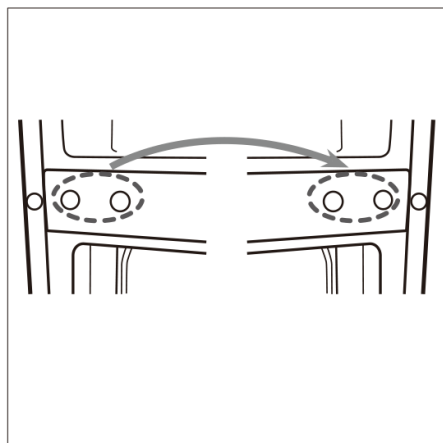




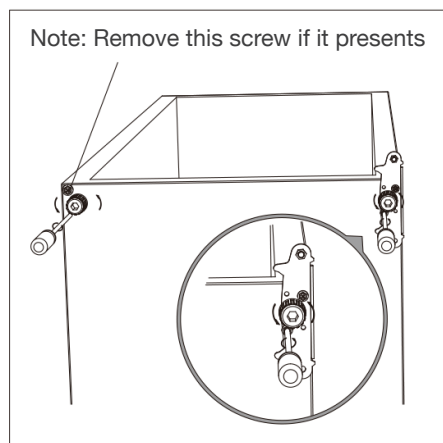
4. Unscrew middle hinge and then remove lower door and place it on a soft pad to avoid scratching.



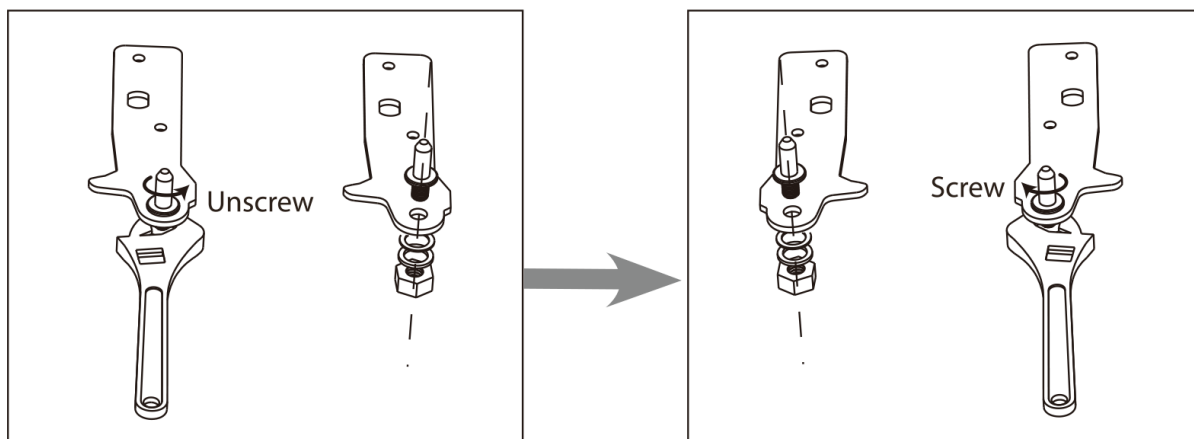
5. Move the hinge hole covers from left side to right side



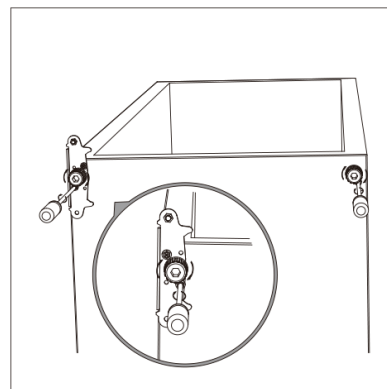
6. Unscrew bottom hinge. Then remove the adjustable feet from both sides.



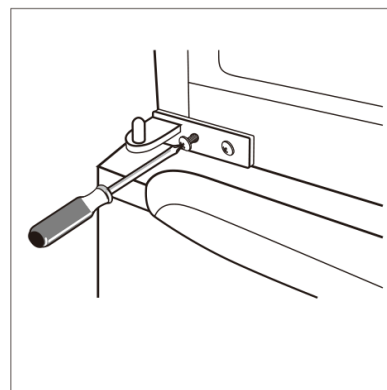
7. Unscrew and remove the bottom hinge pin, turn the bracket over and replace it.



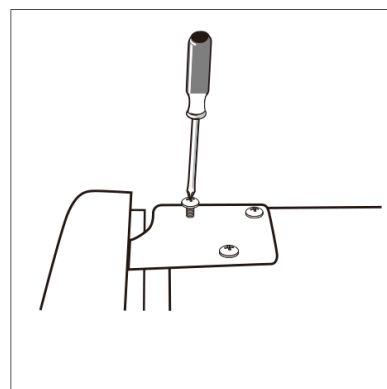
8. Refit the bracket fitting the bottom hinge pin. Replace both adjustable feet. Transfer the lower door to the proper position.



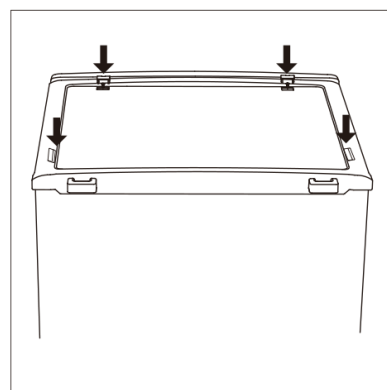
9. Turn the middle hinge 180°C, then transfer it to the left position. Make the middle hinge pin in the upper hole of the lower door, then tighten the bolts.



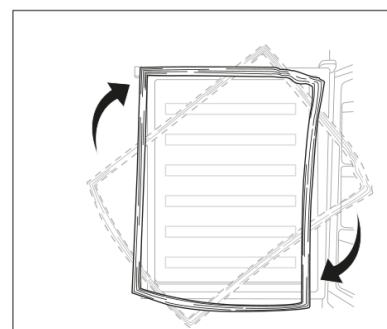
10. Place the upper door back on. Ensure the door is aligned horizontally and vertically so that the seals are closed on all sides before finally tightening the top hinge. Then insert the hinge and screw it to the top of the unit.



11. Replace the top cover and tighten the screws back in.

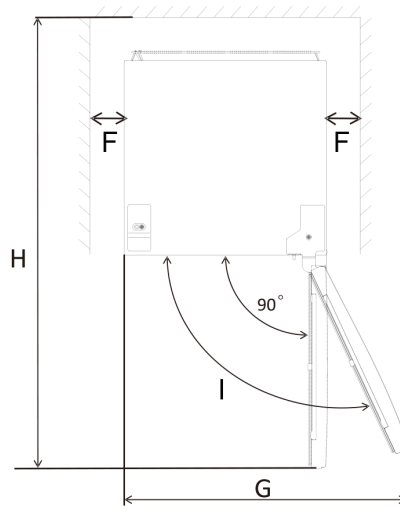
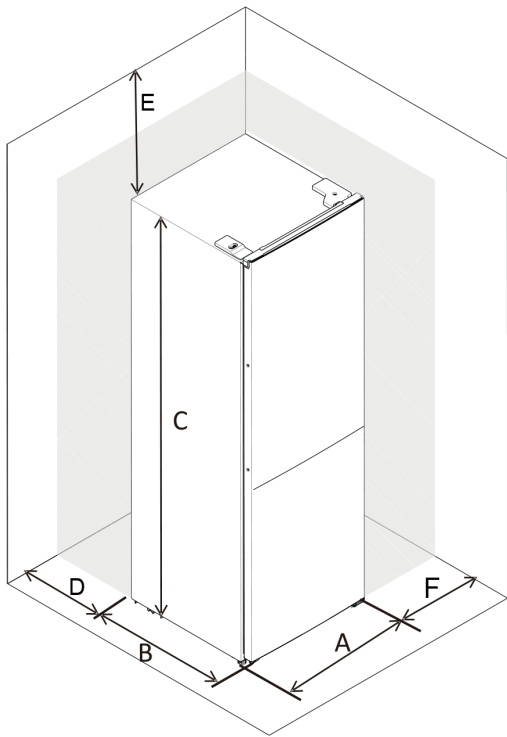


12. Detach the fridge and the freezer door gaskets, rotate and reattach.



## Space Requirement

Keep enough space for the door to open



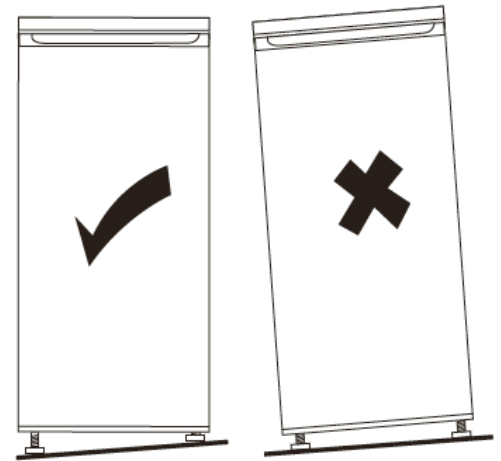
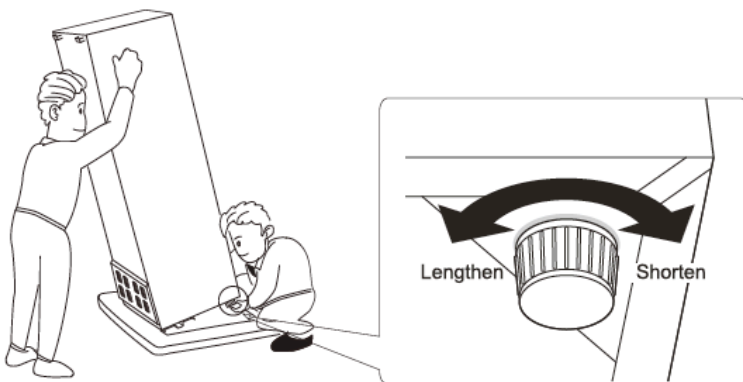
A	550
B	580
C	1760
D	min=50
E	min=50
F	min=50
G	940
H	1180
I	135°

Note: This refrigerating appliance is not intended to be used as a built-in appliance

## Leveling the Unit

To do this adjust the two leveling feet at the front of the unit.

If the unit is not level, the doors and magnetic seal alignments will not be covered properly



## Positioning

Install this appliance in a location where the ambient temperature corresponds to the climate class indicated on the rating plate of the appliance:


### Ambient Room Temperature Limits

Class	Symbol	Ambient average temperature °C
Extended temperature	SN	+10 to +32
Temperature	N	+16 to +32
Subtropical	ST	+16 to +38
Tropical	T	+16 to +43

## Location

The appliance should be installed well away from sources of heat such as radiators, boilers, direct sunlight etc. Ensure that air can circulate freely around the back of the cabinet. To ensure best performance, if the appliance is positioned below an overhanging wall unit, the minimum distance between the top of the cabinet and the wall unit must be at least 50 mm. Ideally, however, the appliance should not be positioned below overhanging wall units. Accurate leveling is ensured by one or more adjustable feet at the base of the cabinet.

This refrigerating appliance is not intended to be used as a built-in appliance;

 **Warning!** It must be possible to disconnect the appliance from the mains power supply; the plug must therefore be easily accessible after installation.

## Electrical Connection

Before plugging in, ensure that the voltage and frequency shown on the rating plate correspond to your domestic power supply. The appliance must be earthed. The power supply cable plug is provided with a contact for this purpose. If the domestic power supply socket is not earthed, connect the appliance to a separate earth in compliance with current regulations, consulting a qualified electrician.

The manufacturer declines all responsibility if the above safety precautions are not observed. This appliance complies with E.E.C Directives.

# USING YOUR APPLIANCE

## First Use - Cleaning the Interior

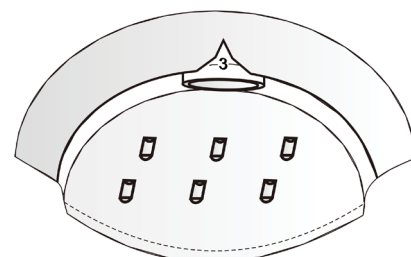
Before using the appliance for the first time, wash the interior and all internal accessories with lukewarm water and some neutral soap so as to remove the typical smell of a brand new product, then dry thoroughly.

**Important:** Do not use detergents or abrasive powders, as these will damage the finish

## Temperature Setting

Plug in your appliance. The internal temperature is controlled by a thermostat. There are 3 settings, MIN, NORMAL AND MAX. MIN is the warmest setting and MAX is the coldest setting.

The appliance may not operate at the correct temperature if it is in a particularly hot environment or if you open the door often.



Position different food in each compartment according to the below table

Refrigerator Compartments	Type of Food
Door or balconies of fridge compartment	<ul style="list-style-type: none"><li>• Foods with natural preservatives, such as jams, juices, drinks, condiments.</li><li>• Do not store perishable foods.</li></ul>
Crisper drawer (salad drawer)	<ul style="list-style-type: none"><li>• Fruits, herbs and vegetables should be placed separately in the crisper bin.</li><li>• Do not store bananas, onions, potatoes, garlic in refrigerator</li></ul>
Fridge shelf	<ul style="list-style-type: none"><li>• Dairy products, eggs</li><li>• Foods that do not need cooking, such as ready to eat foods, deli meat, leftovers</li></ul>
Freezer compartment	<ul style="list-style-type: none"><li>• Foods for long-term storage</li><li>• Bottom drawer/shelf for raw meat, poultry, fish</li><li>• Middle drawer/shelf for frozen vegetables, chips</li><li>• Top drawer/shelf for ice cream, frozen fruit, frozen baked goods</li></ul>

## Freezing Fresh Food

- The freezer compartment is suitable for freezing fresh food and storing frozen and deep-frozen food for a long time.
- Place the fresh food to be frozen in the bottom compartment
- The maximum amount of food that can be frozen in 24 hours is specified on the rating plate
- The freezing process lasts for 24 hours; during this period do not add any more food to be frozen

## Storing Frozen Food

- When first starting up or after a period out of use, before putting the product in the drawer let the appliance run at least 2 hours on the higher settings.
- Important! In the event of accidental defrosting, for example the power has been off for longer than the value shown in the technical characteristics chart under 'rising time,' the defrosted food must be consumed quickly or cooked immediately and then re-frozen (after cooking)

## Thawing

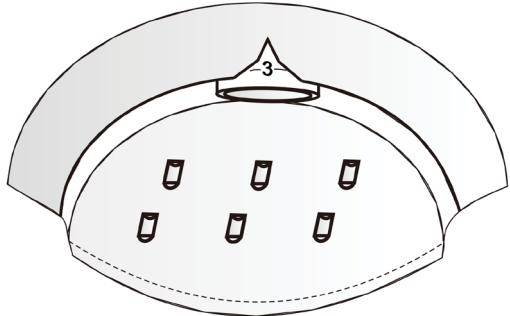
Deep-frozen or frozen food, prior to being used, can be thawed in the fridge compartment or at room temperature, depending on the time available for this operation.

Small pieces may even be cooked still frozen, directly from the freezer. In this case, cooking will take longer.

## Ice Cube

This appliance may be equipped with one or more trays for the production of ice cubes.

## Temperature Setting Recommendation

Environment Temperature	Temperature Setting	
Summer		Set on 5-6
Normal		Set on 3-5
Winter		Set on 1-3

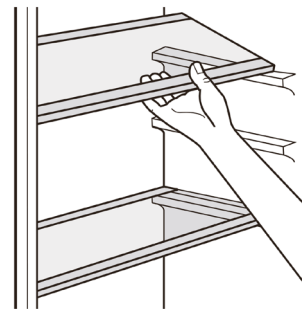
## Impact on Food Storage

- Under recommended setting, the best storage time in the fridge is no more than 3 days
- Under recommended setting, the best storage time in the freezer is no more than 1 month
- The best storage time may vary under different circumstances

## ACCESSORIES

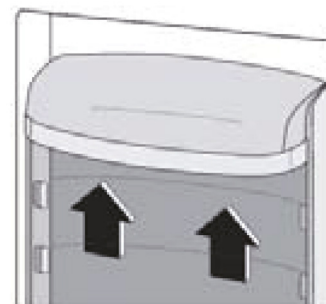
### Movable Shelves

The walls of the refrigerator are equipped with a series of runners so that the shelves can be positioned as desired



### Positioning the Door Shelves

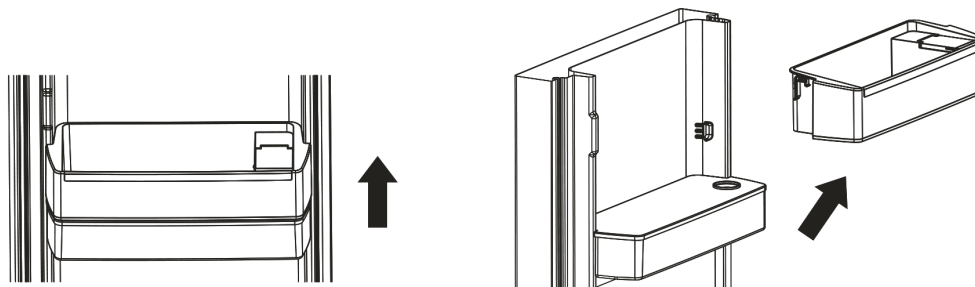
To permit storage of food packages of various sizes, the door shelves can be placed at different heights. To make these adjustments, proceed as follows: gradually pull the shelf in the direction of the arrows until it comes free, then reposition as required.



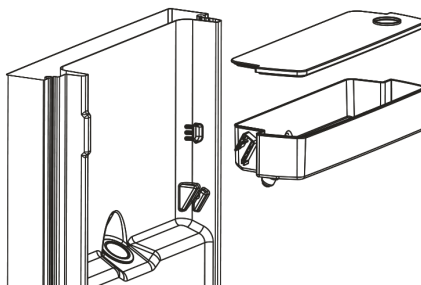
### Using the Water Dispenser

**Important!** Before using the water dispenser for the first time, remove and clean the water tank located inside the refrigeration compartment

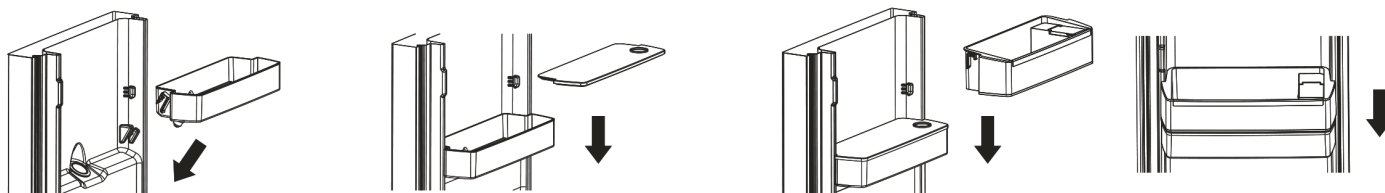
1. Lift and remove the tank balcony



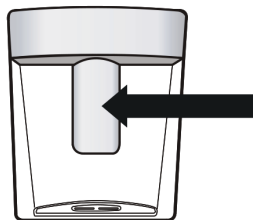
2. Remove the water tank. Detach the top cover and wash and clean both the tank and the cover



3. After cleaning, reposition water tank, cover and tank balcony as below:

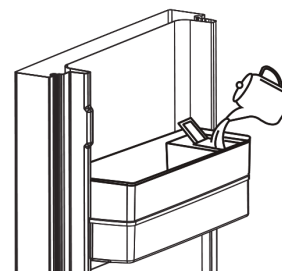


4. Clean the dispenser lever outside the refrigerator door



### Filling the Water Tank

1. Open the small lid in the top of the tank balcony
2. Fill the water tank with drinkable water up to the 2.5L line
3. Close the lid, ensuring it is firmly shut



### Dispensing Water

Push the dispenser lever gently with a glass or container. To stop the flow, pull the glass away from the lever.



### Hints for Freezing

To help you make the most of the freezing process, here are some important hints:

- The maximum quantity of food that can be frozen in 24 hours is shown on the rating plate
- The freezing process takes 24 hours. No further food to be frozen should be added during this period
- Only freeze top quality, fresh and thoroughly cleaned foodstuffs
- Prepare food in small portions to enable it to be rapidly and completely frozen and to make it possible subsequently to thaw only the quantity required
- Wrap up the food in aluminium foil or polythene and make sure that the packages are airtight
- Do not allow fresh, unfrozen food to touch food that is already frozen, thus avoiding a rise in temperature of the latter
- Lean foods store better and longer than fatty ones; salt reduces the storage life of food
- Ice cubes, if consumed immediately after removal from the freezer, can possibly cause freeze burns to the skin
- It is advisable to show the freezing date on each individual pack to enable you to keep tabs of the storage time



## Hints for Storage of Frozen Food

- To obtain the best performance from this appliance you should:
- make sure that the commercially frozen foodstuffs were adequately stored by the retailer,
- be sure that frozen foodstuffs are transferred from the food store to the freezer in the shortest possible time,
- not open the door frequently or leave it open longer than absolutely necessary.
- Once defrosted, food deteriorates rapidly and cannot be refrozen.
- Do not exceed the storage period indicated by the food manufacturer.

## Hints for Fresh Food Refrigeration

To obtain the best performance:

- Do not store warm food or evaporating liquids in the refrigerator
- Cover or wrap food, particularly if it has a strong flavour

## Hints for Refrigeration

Useful hints:

- Meat (all types): wrap in polythene bags and place on the glass shelves above the vegetable drawer
- For safety, store in this way for only one or two days at the most
- Cooked food, cold dishes etc should be covered and placed on any shelf
- Fruit and vegetables should be thoroughly cleaned and placed in the special drawer(s) provided
- Butter and cheese should be placed in special airtight containers or wrapped in aluminium foil or polythene bags to exclude as much air as possible
- Milk bottles should have a cap and should be stored in the shelves in the door
- Bananas, potatoes, onions and garlic, if not packed, must not be kept in the fridge

# CLEANING AND MAINTENANCE

For hygienic reasons the appliance interior, including interior accessories, should be cleaned regularly.

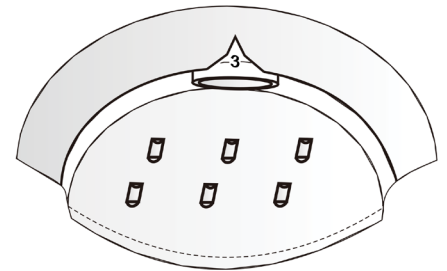
**Caution!** The appliance should be disconnected from the mains during cleaning. Danger of electrical shock! Before cleaning switch the appliance off and remove the plug from the mains, or switch off or turn out the circuit breaker or fuse. Never clean the appliance with a steam cleaner. Moisture could accumulate in electrical components, danger of electrical shock! Hot vapours can lead to the damage of plastic parts. The appliance must be allowed to dry fully before being placed back into service.

**Important!** Ethereal oils and organic solvents can attack plastic parts, e.g. lemon juice or the juice from orange peel, butyric acid, cleansers that contain acetic acid.

- Do not allow such substances to come into contact with the appliance parts
- Do not use any abrasive cleaners
- Remove the food from the appliance. Store them in a cool place, well covered
- Switch the appliance off and remove the plug from the mains, or switch off or turn out the circuit breaker or fuse
- Clean the appliance and the interior accessories with a cloth and lukewarm water. After cleaning wipe with fresh water and rub dry
- After everything is fully dry place appliance back into service

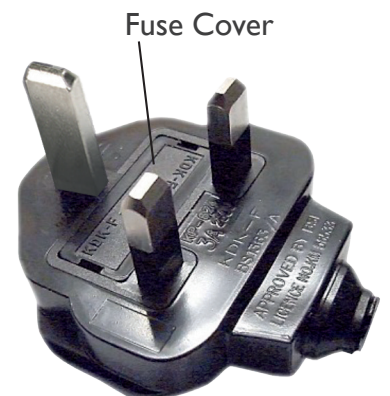
## Replace the Lamp

The internal light is a LED type. To replace the lamp, please contact a qualified technician.



## Fuse Replacement (Class I)

This appliance must be earthed. Remove the fuse cover with a small flat head screw driver. Take out the fuse and replace with a new fuse of the same Amp. Replace the fuse cover and push back into place.



## TROUBLESHOOTING

If you are having problems with your appliance, please use our troubleshooting guide below. If you are unable to resolve the issue using this guide please ring our Customer Service Department on 0844 848 5861. Please have the model code and purchase information available.

Problem	Possible Cause	Solution
Appliance does not work	Temperature regulation knob is set to '0'	Set the knob to another number to switch on the appliance
	Mains plug is not plugged in or is loose	Insert mains plug correctly
	Fuse has blown or is defective	Check fuse, replace if necessary
	Socket is defective	Mains malfunctions are to be corrected by an electrician
The food is too warm	Temperature is not properly adjusted	Refer to the Temperature Setting section
	Door was open for an extended period	Open the door only as long as necessary
	A large quantity of warm food was placed in the appliance in the last 24 hours	Turn the temperature regulation to a colder setting temporarily
	The appliance is near a heat source	Please refer to the Installation section
Appliance cools too much	Temperature is set too cold	Turn the temperature regulation knob to a warmer setting temporarily
Unusual noises	Appliance is not level	Re-adjust the feet
	The appliance is touching the wall or other objects	Move the appliance slightly
	A component, e.g. a pipe, on the rear of the appliance is touching another part of the appliance or the wall	If necessary, carefully bend the component out of the way
Water on the floor	Water drain hole is blocked	Clean the drain hole with a cleaner

## DISPOSAL

The European Directive 2012/19/EU on Waste Electrical and Electronic Equipment (WEEE), requires that old household electrical appliances must not be disposed of in normal unsorted municipal waste.

Old appliances must be collected separately in order to optimise the recovery and recycling of the materials they contain and reduce the impact on human health and the environment.

The crossed out "wheeled bin" symbol on the product reminds you of your obligation, that when you dispose of the appliance it must be separately collected. Consumers should contact their local authority or retailer for information concerning the correct disposal of their old appliance.



# STATESMAN

---

kitchen appliances

**38 Bluestem Road,  
Ransomes Europark  
Ipswich, IP3 9RR**

**0844 848 5861**