



UIAA 1x x.1

**DE**

Deutsch

## Gebrauchsanleitungen GEFRIERSCHRÄNKE

### Inhaltsverzeichnis

Gebrauchsanleitungen, 1  
Kundendienst, 3  
Beschreibung Ihres Gerätes, 6  
Wechsel des Türanschlags, 8  
Installation, 15  
Inbetriebsetzung und Gebrauch, 15  
Wartung und Pflege, 16  
Vorsichtsmaßnahmen und Hinweise, 16  
Störungen und Abhilfe, 17

**GB**

English

## Operating Instructions FREEZER

### Contents

Operating Instructions, 1  
Assistance, 3  
Description of the appliance, 5  
Reversible doors, 8  
Installation, 9  
Start-up and use, 9  
Maintenance and care, 10  
Precautions and tips, 10  
Troubleshooting, 11

**NL**

Nederlands

## Gebruiksaanwijzingen VRIEKAST

### Inhoud

Gebruiksaanwijzingen, 1  
Service, 3  
Beschrijving van het apparaat, 6  
Draairichting deuren verwisselbaar, 8  
Installatie, 18  
Starten en gebruik, 18  
Onderhoud en verzorging, 19  
Voorzorgsmaatregelen en advies, 19  
Storingen en oplossingen, 20

**FR**

Français

## Mode d'emploi CONGELATEUR

### Sommaire

Mode d'emploi, 1  
Assistance, 3  
Description de l'appareil, 5  
Réversibilité des portes, 8  
Installation, 12  
Mise en marche et utilisation, 12  
Entretien et soin, 13  
Précautions et conseils, 13  
Anomalies et remèdes, 14

**CZ**

Česky

## Návod k použití MRAZNIČKY

### Obsah

Návod k použití, 1  
Servisní služba, 4  
Popis zařízení, 7  
Zaměnitelnost směru otevírání dvířek, 8  
Instalace, 21  
Uvedení do provozu a použití, 21  
Údržba a péče, 22  
Opatření a rady, 22  
Závady a způsob jejich odstranění, 23

**BG**

Български

# Инструкции за употреба

## ФРИЗЕР

### Съдържание

Инструкции за употреба,	2
Сервизно обслужване,	4
Описание на уреда,	7
Възможност за обръщане посоката на отваряне на вратите,	8
Инсталиране,	24
Акcesoари,	24
Включване и употреба,	25
Поддръжка и грижи,	25
Предпазни мерки и съвети,	26
Аномалии и решения,	26

**GB**

## Assistance

### Before calling for Assistance:

- Check if the malfunction can be solved on your own (see Troubleshooting).
- If after all the checks, the appliance still does not operate or the problem persists, call the nearest Service Centre

### Communicating:

- type of malfunction
- appliance model (Mod.)
- serial number (S/N)

This information can be found on the data plate located on the bottom left side of the refrigerator compartment.

**Never call on unauthorized technicians and always refuse spare parts which are not originals.**

**FR**

## Assistance

### Avant de contacter le centre d'Assistance :

- Vérifiez si vous pouvez résoudre l'anomalie vous-même (voir Anomalies et Remèdes).
- Si, malgré tous ces contrôles, l'appareil ne fonctionne toujours pas et si l'inconvénient persiste, appelez le service après-vente le plus proche.

### Signalez-lui :

- le type d'anomalie
- le modèle de l'appareil (Mod.)
- le numéro de série (S/N)

Vous trouverez tous ces renseignements sur l'étiquette signalétique placée dans le compartiment réfrigérateur en bas à gauche.

**Ne vous adressez jamais à des techniciens non agréés et exigez toujours l'installation de pièces détachées originales.**

**DE**

## Kundendienst

### Bevor Sie sich an den Kundendienst wenden:

- Prüfen Sie, ob die Störung selbst behoben werden kann (siehe Störungen und Abhilfe).
- Sollte trotz aller Kontrollen das Gerät nicht funktionieren und der von Ihnen festgestellte Fehler weiter bestehen bleiben, dann fordern Sie bitte den nächstgelegenen technischen Kundendienst an und teilen Sie dort zusammen mit Ihrer Fehlerbeschreibung folgende Daten mit:

### Geben Sie bitte Folgendes an:

- die Art der Störung
- das Gerätemodell (Mod.)
- die Modellnummer (S/N).

Entnehmen Sie diese Daten bitte dem Typenschild (befindlich im Kühlraum unten links).

**Beauftragen Sie auf keinen Fall einen nicht befugten Kundendienst und lassen Sie ausschließlich Original-Ersatzteile einbauen.**

**NL**

## Service

### Voordat u de Servicedienst belt:

- Controleer of u de storing niet zelf kunt oplossen (zie Storingen en oplossingen).
- Indien, ondanks alle controles, het apparaat niet goed werkt en de storing blijft bestaan, kunt u zich tot de dichtstbijzijnde Technische Dienst wenden.

### U moet doorgeven:

- het type storing
- het model apparaat (Mod.)
- het serienummer (S/N)

Deze informatie bevindt zich op het typeplaatje links onderin het koelgedeelte.

**Wendt u zich nooit tot onbevoegde installateurs en weiger altijd de installatie van niet originele onderdelen.**

**GB** - model  
**FR** - modèle  
**DE** - modell  
**NL** - model  
**ES** - modelo  
**CZ** - model  
**BG** - модел

Mod. <b>RG 2330</b>		TI	Cod. 93139180000		S/N <b>704211801</b>	
230 - 240 V~	Hz	150 W	40v W	Fuse	A	Max 15
Total	340	75			Freez. Capac	Class
Gross Bruto Brut		Gross Bruto Brut	Net Util Utile	Gross Bruto Brut	Poder de Cong kg/24 h	Class <b>N</b>
Compr. Syst.	R 134 a	Test	Pressure HIGH-235			
Kompr.	kg 0,090	P.S-4	LOW 140			
Made in Italy 13918						

**GB** - serial number  
**FR** - numéro de série  
**DE** - modellnummer  
**NL** - serienummer  
**ES** - número de serie  
**CZ** - výrobní číslo  
**BG** - серийен номер

**CZ**

## Servisní služba

**Dříve, než se obrátíte na servisní službu:**

- Zkontrolujte, zda zjištěnou závadu nemůžete odstranit vy sami (viz Závady a způsob jejich odstranění).
- Jestliže zařízení ani po všech provedených kontrolách nefunguje a zjištěná závada přetrvává, obraťte se na nejbližší Servisní středisko.

**Uveďte:**

- druh závady
- model vašeho spotřebiče (Mod.)
- výrobní číslo (S/N)

Tyto informace jsou uvedeny na identifikačním štítku umístěném v levé dolní části chladničky.

**Nikdy nesvěřujte opravu neautorizovanému technickému personálu a nepřipusťte instalaci jiných než originálních náhradních dílů.**

**BG**

## Сервизно обслужване

**Преди да се обадите в центъра за сервизно обслужване:**

- Проверете дали аномалията не може да бъде отстранена без помощ отвън (виж Аномалии и решения).
- Ако, въпреки всички проверки, уредът не работи и установената от вас неизправност продължава да е налице, обърнете се към най-близкия Център за сервизно обслужване:

**Съобщете:**

- вида на аномалията
- модела на уреда (Mod.)
- серийния номер (S/N)

Тези сведения ще намерите на табелката с характеристиките, разположена в хладилното отделение долу вляво.

**В никакъв случай не прибегвайте до услугите на техници, които не са оторизирани, и винаги отказвайте инсталирането на неоригинални резервни части.**

**GB** - model  
**FR** - modèle  
**DE** - modell  
**NL** - model  
**ES** - modelo  
**CZ** - model  
**BG** - модел

Mod. <b>RG 2330</b>		TI	Cod. 93139180000		S/N <b>704211801</b>	
230 - 240 V~	Hz	150 W	~W	Fuse	A	Max 15
Total	340	75		Freez.	Capac	Class
Gross Bruto Brut		Gross Bruto Brut	Net Util Utile	Gross Bruto Brut	Poder de Cong	Clase <b>N</b>
					kg/24 h 4,0	Classe
Compr. Syst.	R 134 a	Test	Pressure			
Kompr.	kg 0,090	P.S.4	HIGH-235			
Made in Italy		13918	LOW 140			

**GB** - serial number  
**FR** - numéro de série  
**DE** - modellnummer  
**NL** - seriennummer  
**ES** - número de serie  
**CZ** - výrobní číslo  
**BG** - сериен номер

**GB**

## Description of the appliance

### Overall view

The instructions contained in this manual are applicable to different model refrigerators. The diagrams may not directly represent the appliance purchased. For more complex features, consult the following pages.

- 1 Levelling **FEET**
- 2 **STORAGE** Compartment\*
- 3 Flap **FREEZING** and **STORAGE** Compartment
- 4 **TEMPERATUE CONTROL** Knob
- 5 **WARNING** Indicator light
- 6 **POWER** Indicator light
- 7 **ICE<sup>3</sup>** ice tray\*

\* Varies by number and/or position, available only on certain models.

**FR**

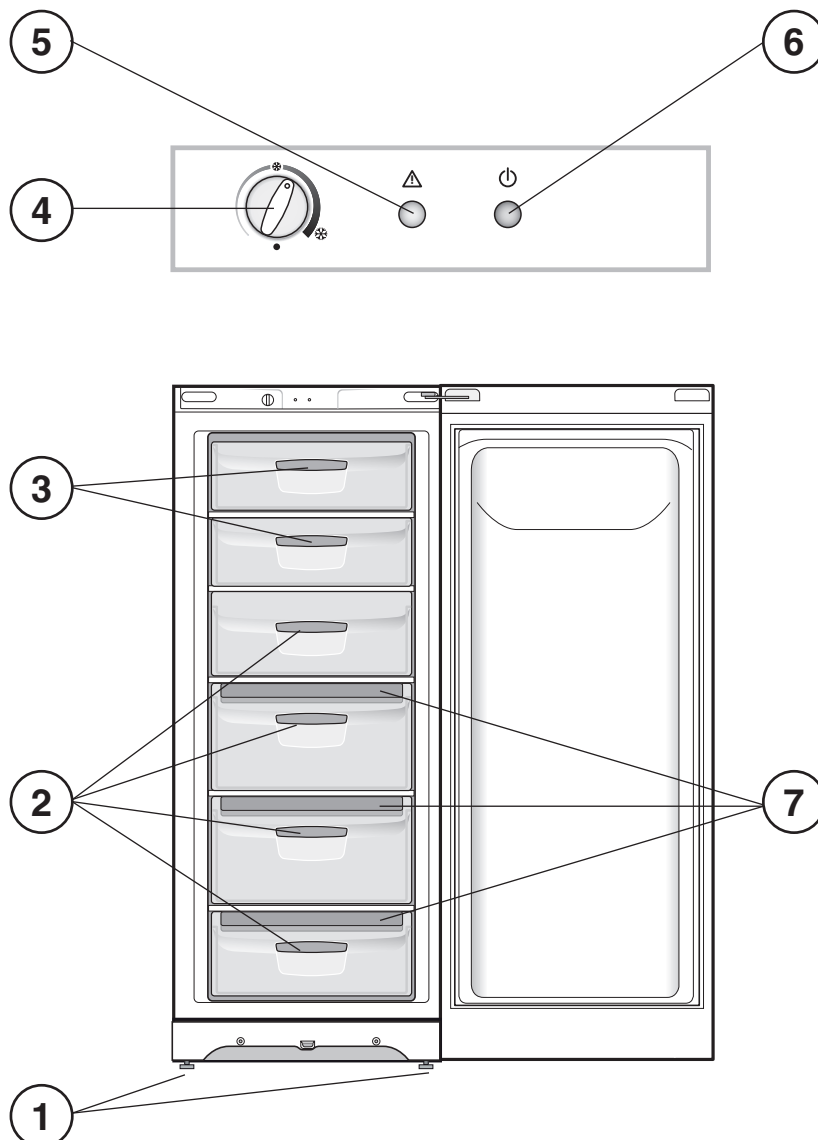
## Description de l'appareil

### Vue d'ensemble

Ces instructions d'utilisation s'appliquent à plusieurs modèles, il se peut donc que les composants illustrés présentent des différences par rapport à ceux de l'appareil que vous avez acheté. Vous trouverez dans les pages suivantes la description des objets plus complexes.

- 1 **PIED** de réglage
- 2 Compartiment **CONSERVATION**\*
- 3 Compartiment **CONGELATION** et **CONSERVATION**
- 4 Bouton **RÉGLAGE DE LA TEMPÉRATURE**
- 5 Voyant **ALARME**
- 6 Voyant **ALIMENTATION**
- 7 Bac à glaçons **ICE<sup>3</sup>**\*

\* Leur nombre et/ou leur emplacement peut varier, n'existe que sur certains modèles.



**DE**

## Beschreibung Ihres Gerätes

### Geräteansicht

Die Gebrauchsanleitungen gelten für mehrere Gerätemodelle. Demnach ist es möglich, dass die Abbildung Details enthält, über die Ihr Gerät nicht verfügt. Die Beschreibung weiterer Komponenten ersehen Sie auf nachfolgender Seite.

- 1 **STELLFÜSSE.**
- 2 Fach zum **LAGERN\***
- 3 Fach zum **GEFRIEREN** und **LAGERN**
- 4 **TEMPERATURSCHALTER**
- 5 Kontrollleuchte **ALARM**
- 6 Kontrollleuchte **STROMVERSORGUNG**
- 7 Eisschale **ICE<sup>3\*</sup>**

\* Unterschiedliche Anzahl und Platzierung, nicht bei allen Modellen.

**NL**

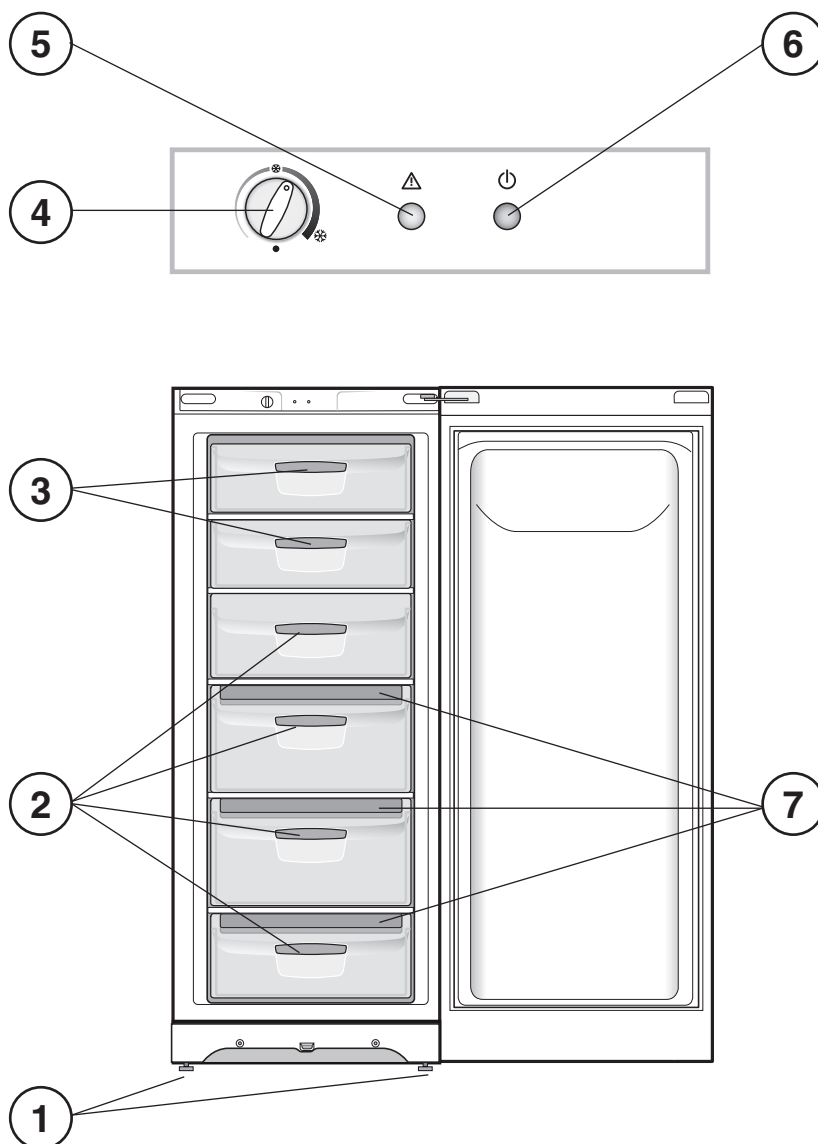
## Beschrijving van het apparaat

### Algemeen aanzicht

Deze gebruiksaanwijzingen gelden voor verscheidene modellen en het is daarom mogelijk dat de figuur andere details afbeeldt dan het door u aangeschafte apparaat. De beschrijving van de meest complexe elementen vind u terug in de volgende pagina's.

- 1 Verstelbare **POOTJES.**
- 2 **BEWAARGEDEELTE\***
- 3 **INVRIES-** en **BEWAARGEDEELTE**
- 4 **TEMPERATUURKNOP.**
- 5 Controlelampje **ALARM.**
- 6 Controlelampje **ELEKTRISCHE VOEDING.**
- 7 Ijsblokeshouder **Ice<sup>3\*</sup>**

\* Deze kunnen variëren voor wat betreft aantal of positie, alleen op enkele modellen aanwezig.



**CZ**

## Popis zařízení

### Celkový pohled

Pokyny k použití platí pro různé modely, a proto je možné, že na obrázku budou zobrazeny součásti odlišující se od zakoupeného zařízení. Popis nejsložitějších součástí je uveden na následujících stránkách.

- 1 Picioruše de reglare.
- 2 **KONZERVAČNÍ** prostor\* .
- 3 **MRAZICÍ** a **KONZERVAČNÍ** prostor
- 4 Otočný knoflík **REGULACE TEPLoty**.
- 5 Kontrolka **ALARMU**.
- 6 Kontrolka **NAPÁJENÍ**.
- 7 Miska na led Ice<sup>3\*</sup>

\* Liší se v počtu a/nebo dle polohy, je součástí pouze některých modelů.

**BG**

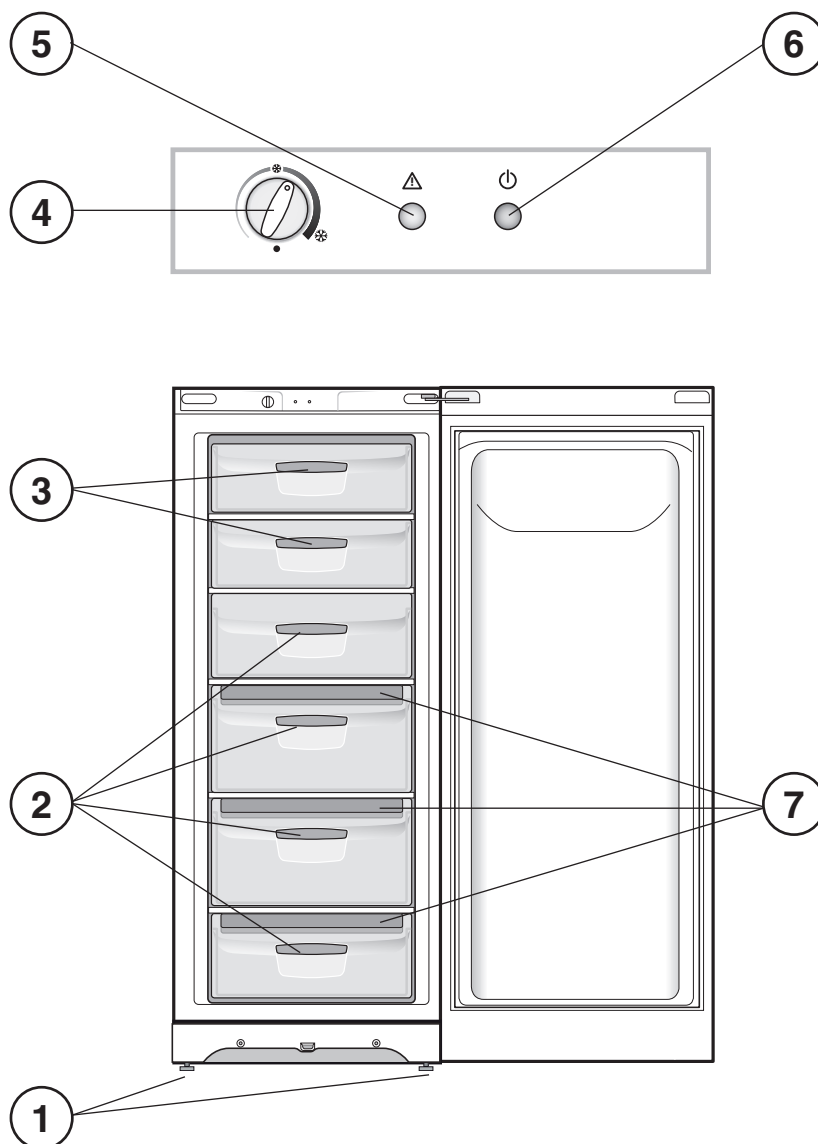
## Описание на уреда

### Общ изглед

Инструкциите за употреба са валидни за различни модели, поради което е възможно на фигурата да са показани части различни от тези на закупения от вас уред. Описание на по-сложните устройства ще намерите на следващите страници.

- 1 **КРАЧЕТА** за нивелиране
- 2 Отделение за **СЪХРАНЕНИЕ**\*
- 3 Отделения с капаци за **ЗАМРАЗЯВАНЕ** и **СЪХРАНЕНИЕ**\*
- 4 Бутон за **КОНТРОЛ НА ТЕМПЕРАТУРАТА**
- 5 Индикатор за **ПРЕДУПРЕЖДЕНИЕ**
- 6 Индикатор на **ЗАХРАНВАНЕТО**
- 7 Тави за **ЛЕД**<sup>3\*</sup>

\* Различавачи се по номер и/или разположение, налице само при някои модели.



**GB**

Reversible doors

**FR**

Réversibilité des portes

**DE**

Wechsel des Türanschlags

**NL**

Draairichting deuren verwisselbaar

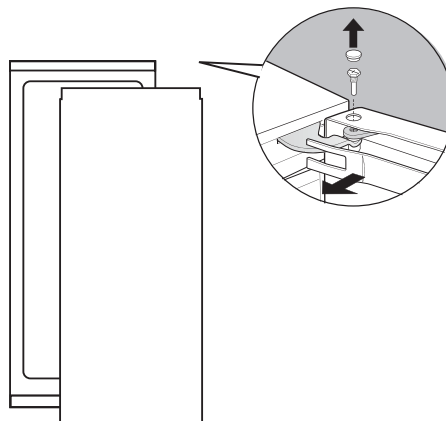
**CZ**

Zaměnitelnost směru otevírání  
dvířek

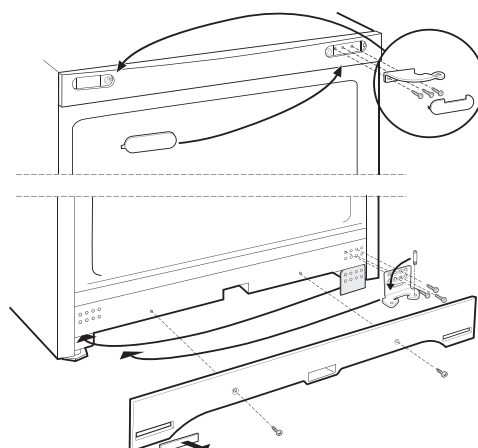
**BG**

Възможност за обръщане  
посоката на отваряне на вратите

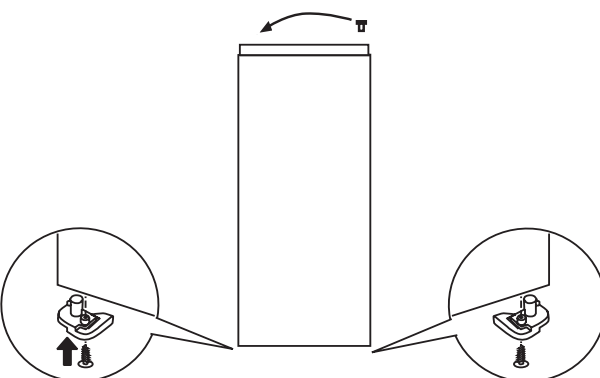
1



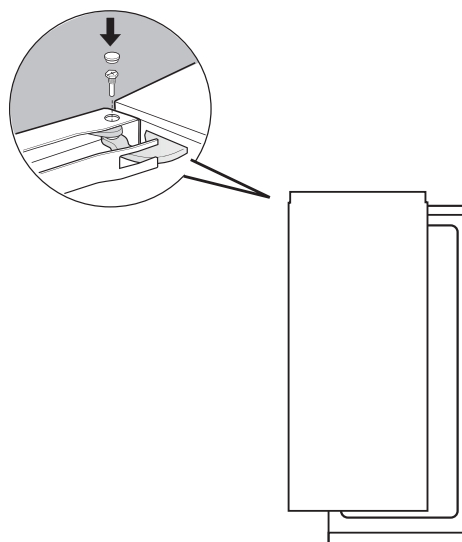
2



3



4



5



## Installation

! Before placing your new appliance into operation please read these operating instructions carefully. They contain important information for safe use, for installation and for care of the appliance.

! Please keep these operating instructions for future reference. Pass them on to possible new owners of the appliance.

### Positioning and connection

#### Positioning

1. Place the appliance in a well-ventilated humidity-free room.
2. Do not obstruct the rear fan grills. The compressor and condenser give off heat and require good ventilation to operate correctly and save energy.
3. Leave a space of at least 10 cm between the top part of the appliance and any furniture above it, and at least 5 cm between the sides and any furniture/side walls.
4. Ensure the appliance is away from any sources of heat (direct sunlight, electric stove, etc.).
5. In order to maintain the correct distance between the appliance and the wall behind it, fit the spacers supplied in the installation kit, following the instructions provided.

#### Levelling

1. Install the appliance on a level and rigid floor.
2. If the floor is not perfectly horizontal, adjust the refrigerator by tightening or loosening the front feet.

#### Electrical connections

After the appliance has been transported, carefully place it vertically and wait at least 3 hours before connecting it to the electricity mains. Before inserting the plug into the electrical socket ensure the following:

- The appliance is earthed and the plug is compliant with the law.
- The socket can withstand the maximum power of the appliance, which is indicated on the data plate located on the bottom left side of the fridge (e.g. 150 W).
- The voltage must be in the range between the values indicated on the data plate located on the bottom left side (e.g. 220-240V).
- The socket is compatible with the plug of the appliance. If the socket is incompatible with the plug, ask an authorised technician to replace it (see Assistance). Do not use extension cords or multiple sockets.

! Once the appliance has been installed, the power supply cable and the electrical socket must be easily accessible.

! The cable must not be bent or compressed.

! The cable must be checked regularly and replaced by authorised technicians only (see Assistance).

**! The manufacturer declines any liability should these safety measures not be observed.**

## Start-up and use

### Starting the appliance

**! Before starting the appliance, follow the installation instructions (see Installation).**

! Before connecting the appliance, clean the compartments and accessories well with lukewarm water and bicarbonate.

1. Insert the plug into the socket and ensure that the red ALARM and green POWER indicator lights illuminate (the TEMPERATURE ADJUSTMENT knob must not be on ●).

2. When the red indicator light switches off, turn the TEMPERATURE ADJUSTMENT knob to a medium position. The freezer is now ready to be used.

### Using the freezer to its full potential

- Use the FREEZER OPERATION knob to adjust the temperature (see Description).
- Do not re-freeze food that is defrosting or that has already been defrosted. These foods must be cooked and eaten (within 24 hours).
- Fresh food that needs to be frozen must not come into contact with food that has already been defrosted. Fresh food must be stored in the top FREEZER and STORAGE compartment where the temperature drops below -18°C and guarantees rapid freezing.
- Do not place glass bottles which contain liquids, and which are corked or hermetically sealed in the freezer because they could break.
- The maximum quantity of food that may be frozen each day is indicated on the data plate, which is located inside the freezer (for example: 4 kg per 24 hours).
- In order to obtain a greater amount of space in the freezer compartment, you may remove the bins (except the lowest bin) and place the food directly onto the evaporator plates.

! Do not open the door during freezing.

! If there is a power cut or malfunction, do not open the freezer door. This will help maintain the temperature inside the freezer, ensuring that foods are conserved for at least 9 -14 hours.

! Warning Indicator Light. When this red warning light comes on for a prolonged period of time, it means that the freezer is not functioning properly and the temperature is rising too much. (Call your Service Centre).

This warning light might come on for a brief period when:

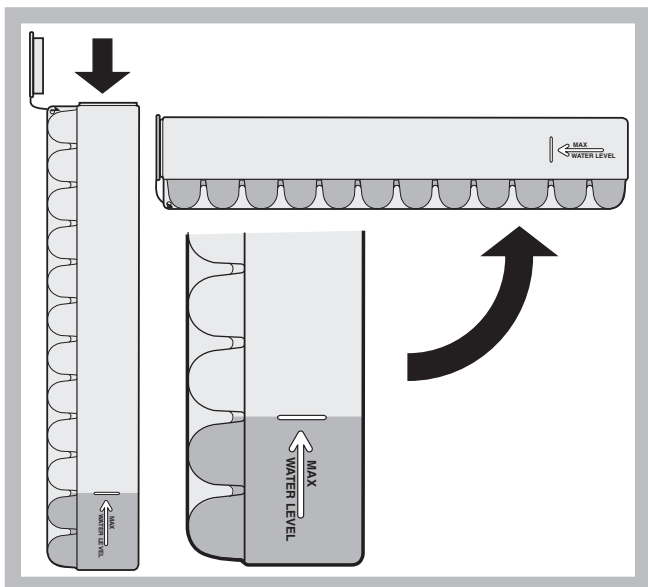
- a) the door is left open for an extended period of time (when the freezer is being loaded or unloaded).

In these two cases, the fact that the warning light comes on does not indicate that the freezer is malfunctioning or there is a defect.

#### Ice<sup>3</sup> ice tray\*

The fact that they are situated on the top part of the freezer drawers ensures greater cleanliness: the ice no longer comes into contact with the food placed inside the freezer compartment; furthermore, the dripping of the water during filling is avoided (a lid to cover up the hole after filling with water is also provided).

1. Pull out the tray by pushing it up. Check that the tray is completely empty and fill it with water through the opening provided.
2. Take care not to exceed the level indicated (MAX WATER LEVEL). Excess water prevents the ice cubes from dispensing (if this happens, wait for the ice to melt and empty the tray).
3. Turn the tray 90°: due to the connected compartments each mould fills with water (see diagram).
4. Close the opening with the lid provided and put the tray back, placing the top part in the corresponding housing and allowing it to drop in again.
5. When the ice has formed (minimum time approximately 8 hours) knock the tray against a hard surface and wet the outside so that the ice cubes come loose and take them out through the opening.



## Maintenance and care

### Switching the appliance off

During cleaning and maintenance it is necessary to disconnect the appliance from the electricity supply:

1. set the TEMPERATURE CONTROL knob on ●
2. pull the plug out of the socket

### Cleaning the appliance

- The external and internal parts, as well as the rubber seals may be cleaned using a sponge that has been soaked in lukewarm water and bicarbonate of soda or neutral soap. Do not use solvents, abrasive products, bleach or ammonia.
- The removable accessories may be soaked in warm water and soap or dishwashing liquid. Rinse and dry them carefully.
- The back of the appliance may collect dust which can be removed by delicately using the hose of a vacuum cleaner set on medium power. The appliance must be switched off and the plug must be pulled out before cleaning the appliance.

### Avoiding mould and unpleasant odours

- The appliance is manufactured with hygienic materials which are odour free. In order to maintain an odour free refrigerator and to prevent the formation of stains, food must always be covered or sealed properly.
- If you want to switch the appliance off for an extended period of time, clean the inside and leave the doors open.

### Defrosting the appliance

! Follow the instructions below.

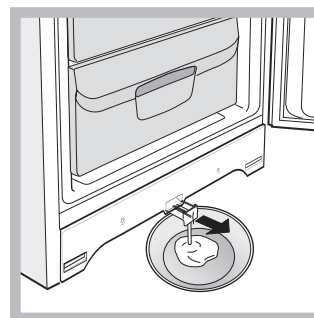
Do not speed up the defrosting process by using any tools or electrical devices other than the scraper provided, you may damage the refrigeration circuit.

. If the frost layer is greater than 5 mm, it is necessary to defrost manually:

1. After 24 hours set the TEMPERATURE CONTROL knob on ●, which will switch the refrigerator off.
2. Wrap frozen foods in newspaper and place them in another freezer or in a cool place.

\* Varies by number and/or position, available only on certain models.

3. Leave the door open until the frost has melted completely. This can be made easier by placing containers with lukewarm water in the freezer compartment.
4. Certain appliances are fitted with the DRAIN SYSTEM to lead the water outside: let the water flow into a container (see diagram).



5. Clean and dry the freezer compartment carefully before switching the appliance on again.
6. Wait for approximately 2 hours, i.e. until the ideal storage conditions have been restored, before placing food in the freezer compartment.

## Precautions and tips

! The appliance was designed and manufactured in compliance with international safety standards. The following warnings are provided for safety reasons and must be read carefully.



This appliance complies with the following Community Directives:

- 73/23/EEC of 19/02/73 (Low Voltage) and subsequent amendments;
- 89/336/EEC of 03.05.89 (Electromagnetic Compatibility) and subsequent amendments;
- 2002/96/CE..

### General safety

- The appliance was designed for domestic use inside the home and is not intended for commercial or industrial use.
- The appliance must be used to store and freeze food products by adults only and according to the instructions in this manual.
- The appliance must not be installed outdoors, even in covered areas. It is extremely dangerous to leave the appliance exposed to rain and storms.
- Do not touch the appliance with bare feet or with wet or moist hands and feet.
- Do not touch the internal cooling elements: this could cause skin abrasions or frost/freezer burns.
- When unplugging the appliance always pull the plug from the mains socket, do not pull on the cable.
- Before cleaning and maintenance, always switch off the appliance and disconnect it from the electrical supply. It is not sufficient to set the temperature adjustment knobs on ● (appliance off) to eliminate all electrical contact.
- In the case of a malfunction, under no circumstances should you attempt to repair the appliance yourself. Repairs carried out by inexperienced persons may cause injury or further malfunctioning of the appliance.
- Do not use any sharp or pointed utensils or electrical equipment - other than the type recommended by the

manufacturer - inside the frozen food storage compartments.

- Do not put ice cubes taken directly from the freezer into your mouth.
- This appliance is not intended for use by persons (including children) with reduced physical, sensory or lack of experience and knowledge unless they have been given supervision or instruction concerning use of the appliance by a person responsible for their safety. Children should be supervised to ensure that they do not play with the appliance.
- Keep packaging material out of the reach of children! It can become a choking or suffocation hazard.

## Disposal

- Observe local environmental standards when disposing packaging material for recycling purposes.
- The European Directive 2002/96/EC on Waste Electrical and Electronic Equipment (WEEE), requires that old household electrical appliances must not be disposed of in the normal unsorted municipal waste stream. Old appliances must be collected separately in order to optimise the recovery and recycling of the materials they contain and reduce the impact on human health and the environment. The crossed out "wheeled bin" symbol on the product reminds you of your obligation, that when you dispose of the appliance it must be separately collected. Consumers should contact their local authority or retailer for information concerning the correct disposal of their old appliance.

## Respecting and conserving the environment

- Install the appliance in a fresh and well-ventilated room. Ensure that it is protected from direct sunlight and do not place it near heat sources.
- Try to avoid keeping the door open for long periods or opening the door too frequently in order to conserve energy.
- Do not fill the appliance with too much food: cold air must circulate freely for food to be preserved properly. If circulation is impeded, the compressor will work continuously.
- Do not place hot food directly into the refrigerator. The internal temperature will increase and force the compressor to work harder and will consume more energy.
- Defrost the appliance if ice forms (see Maintenance). A thick layer of ice makes cold transference to food products more difficult and results in increased energy consumption.
- Regularly check the door seals and wipe clean to ensure they are free of debris and to prevent cold air from escaping (see Maintenance).

## Troubleshooting

If the appliance does not work, before calling for Assistance (see Assistance), check for a solution from the following list.

### The green POWER indicator light does not illuminate.

- The plug has not been inserted into the electrical socket, or not far enough to make contact, or there is no power in the house.

### The WARNING Indicator light is Always On.

- The door is not closed properly or has been open continuously.
- The door has been opened too frequently.
- The TEMPERATURE ADJUSTMENT knob is not in the correct position.

### The motor runs continuously.

- The door is not closed properly or is continuously opened.
- The outside ambient temperature is very high.
- The thickness of the frost exceeds 2-3 mm (see Maintenance).

### The appliance makes a lot of noise.

- The appliance has not been installed on a level surface (see Installation).
- The appliance has been installed between cabinets that vibrate and make noise.
- The internal refrigerant makes a slight noise even when the compressor is off. This is not a defect, it is normal.

## Installation

! Conservez ce mode d'emploi pour pouvoir le consulter à tout moment. En cas de vente, de cession ou de déménagement, veillez à ce qu'il suive l'appareil pour informer le nouveau propriétaire sur son fonctionnement et lui fournir les conseils correspondants.

! Lisez attentivement les instructions : elles contiennent des conseils importants sur l'installation, l'utilisation et la sécurité de votre appareil.

### Mise en place et raccordement

#### Mise en place

1. Placez l'appareil dans une pièce bien aérée et non humide.
2. Ne bouchez pas les grilles d'aération arrière : le compresseur et le condensateur produisent de la chaleur et exigent une bonne aération pour bien fonctionner et réduire la consommation d'électricité.
3. Prévoir au moins 10 cm entre le haut de l'appareil et les meubles installés au-dessus et au moins 5 cm entre les côtés et les meubles/parois latérales.
4. Installez l'appareil loin de sources de chaleur (rayons directs du soleil, cuisinière électrique).
5. Pour maintenir une distance optimale entre le produit et la paroi arrière, montez les cales d'espacement comprises dans le kit d'installation et suivez les instructions de la notice spécialement prévue.

#### Mise à niveau

1. Installez l'appareil sur un sol plat et rigide.
2. Si le sol n'est pas parfaitement horizontal, vissez ou dévissez les petits pieds avant pour bien niveler l'appareil.

#### Raccordement électrique

Après le transport, placez l'appareil à la verticale et attendez au moins 3 heures avant de le raccorder à l'installation électrique. Avant de brancher la fiche dans la prise de courant, assurez-vous que :

- la prise est bien munie d'une terre conforme à la loi;
- la prise est bien apte à supporter la puissance maximale de l'appareil, indiquée sur la plaquette signalétique placée à l'intérieur du compartiment réfrigérateur en bas à gauche (ex. 150 W);
- la tension d'alimentation est bien comprise entre les valeurs indiquées sur la plaquette signalétique, placée en bas à gauche (ex. 220-240 V);
- la prise est bien compatible avec la fiche de l'appareil. En cas d'incompatibilité, faites remplacer la fiche par un technicien agréé (voir Assistance); n'utilisez ni rallonges ni prises multiples.

! Après installation de l'appareil, le câble électrique et la prise de courant doivent être facilement accessibles.

! Le câble ne doit être ni plié ni excessivement écrasé.

! Il doit être contrôlé périodiquement et ne peut être remplacé que par un technicien agréé (voir Assistance).

**! Nous déclinons toute responsabilité en cas de non respect des normes énumérées ci-dessus.**

## Mise en marche et utilisation

### Mise en service de l'appareil

**! Avant de mettre l'appareil en service, suivez bien les instructions sur l'installation (voir Installation).**

! Avant de brancher votre appareil, nettoyez bien les compartiments et les accessoires à l'eau tiède additionnée de bicarbonate.

1. Branchez la fiche dans la prise et assurez-vous que le voyant vert ALIMENTATION ELECTRIQUE et le voyant rouge ALARME s'allument (le bouton de REGLAGE DE LA TEMPERATURE ne doit pas être sur ●).
2. Quand le voyant rouge s'éteint, amenez le bouton REGLAGE DE LA TEMPERATURE sur une position intermédiaire. Votre congélateur est alors prêt à l'emploi.

### Pour profiter à plein de votre congélateur

- Pour régler la température, utilisez le bouton FONCTIONNEMENT CONGELATEUR (voir Description).
- Ne recongelez pas des aliments décongelés ou en cours de décongélation; il faut les faire cuire et les consommer (dans les 24 heures).
- Les aliments frais à congeler ne doivent pas être placés au contact d'aliments déjà congelés; il faut les stocker dans le compartiment supérieur CONGELATION et CONSERVATION où la température qui descend au-dessous de -18°C garantit une vitesse de congélation adéquate.
- Ne stockez pas dans votre congélateur des bouteilles en verre contenant des liquides, bouchées ou fermées hermétiquement, elles pourraient se briser.
- L'étiquette placée à l'intérieur du congélateur vous renseigne sur la quantité maximale d'aliments pouvant être congelée quotidiennement (par exemple: 4 kg/24h).
- Pour gagner de la place à l'intérieur du congélateur, vous pouvez enlever les tiroirs (sauf le tiroir du bas) et stocker vos aliments directement sur les plaques évaporantes.

! Evitez d'ouvrir la porte pendant la phase de congélation.

! En cas de coupure de courant ou de panne, n'ouvrez pas la porte du congélateur : les produits surgelés et congelés se conserveront ainsi sans problème pendant 9 - 14 heures environ.

! Voyant ALARM. L'allumage prolongé du voyant rouge indique que le congélateur ne fonctionne pas bien et qu'à l'intérieur la température monte trop. (Appelez le Service Après-Vente.). Il arrive que ce voyant s'allume pendant un bref laps de temps:

- a) quand la porte reste ouverte trop longtemps (lors du stockage des denrées ou de leur prélèvement).

Dans ces deux cas, l'allumage du voyant n'indique aucun défaut ou anomalie de fonctionnement du congélateur.

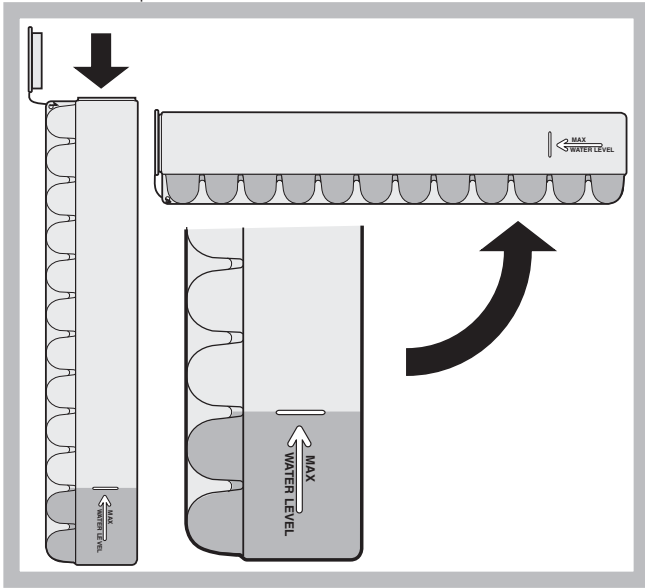
#### Bac à glaçons Ice3.\*

Placés dans la partie supérieure des tiroirs du compartiment freezer, ils sont plus ergonomiques et garantissent davantage de propreté: en effet, les glaçons ne touchent plus aux aliments stockés dans le freezer; de plus, fini l'eau qui dégouline lorsque vous rangez votre bac (un couvercle est fourni pour boucher le récipient après l'avoir rempli).

1. Pour sortir le bac, poussez-le vers le haut. Vérifiez que le bac est bien vide avant de le remplir en introduisant l'eau par l'ouverture prévue.

\* Leur nombre et/ou leur emplacement peut varier, n'existe que sur certains modèles.

- Attention à ne pas dépasser le niveau indiqué (MAX WATER LEVEL). Une trop grande quantité d'eau gêne la sortie des glaçons (si celase produit, attendez que la glace fonde et videz le bac).
- Faites pivoter le bac de 90° : l'eau envahit les cavités selon le principe des vases communicants (voir figure).
- Bouchez l'ouverture à l'aide du couvercle fourni, remettez le bac à sa place en introduisant sa partie supérieure dans le logement prévu et laissez-le retomber.
- Une fois que la glace s'est formée (il faut compter au moins 8 heures) tapez le bac contre une surface dure et mouillez-le à l'extérieur pour détacher les glaçons que vous ferez sortir par l'ouverture prévue.



## Entretien et soin

### Mise hors tension

Pendant les opérations de nettoyage et d'entretien, débranchez l'appareil du réseau d'alimentation :

- amenez le bouton RÉGLAGE DE LA TEMPÉRATURE sur ●;
- débranchez la fiche de la prise de courant.

### Nettoyage de l'appareil

- Nettoyez l'extérieur, l'intérieur et les joints en caoutchouc à l'aide d'une éponge imbibée d'eau tiède additionnée de bicarbonate de soude ou de savon neutre. N'utilisez pas de solvants, de produits abrasifs, d'eau de Javel ou d'ammoniaque.
- mettez tremper les accessoires amovibles dans de l'eau chaude additionnée de savon ou de liquide vaisselle. Rincez-les et essuyez-les soigneusement.
- Le dos de l'appareil a tendance à s'empoussiérer, pour éliminer la poussière avec délicatesse, après avoir éteint l'appareil et débranché la fiche, servez-vous d'un aspirateur montant un accessoire adéquat et réglé sur une puissance intermédiaire.

### Contre la formation de moisissures et de mauvaises odeurs

- Cet appareil est fabriqué dans des matériaux hygiéniques qui ne transmettent pas d'odeur. Pour sauvegarder cette caractéristique, veillez à bien emballer et couvrir vos aliments. Vous éviterez par la même occasion la formation de taches.
- Si vous devez laisser votre appareil éteint pendant une période de temps prolongée, nettoyez-le bien l'intérieur et laissez les portes ouvertes.

### Dégivrage de l'appareil

! Conformez-vous aux instructions suivantes.

N'accélérez pas le processus avec des dispositifs ou des ustensiles autres que la raclette à givre fournie avec l'appareil (n'existe que sur certains modèles), vous risqueriez d'endommager le circuit réfrigérant.

Si la couche de givre dépasse 5 mm, procédez à un dégivrage manuel :

- Au bout de 24 heures amenez le Manette RÉGLAGE DE LA TEMPÉRATURE sur ●.
- Enveloppez vos produits surgelés ou congelés dans du papier et placez-les dans un endroit frais.
- Laissez la porte ouverte jusqu'à ce que le givre fonde complètement; pour accélérer cette opération placez dans le compartiment congélateur des récipients d'eau tiède.
- Certains de nos appareils sont équipés du SYSTEME DRAIN pour acheminer l'eau vers l'extérieur. Laissez l'eau s'écouler dans un récipient (voir figure).



- Nettoyez et séchez soigneusement le compartiment congélateur avant de rallumer l'appareil.
- Avant de ranger vos aliments dans le compartiment congélateur, attendez environ 2 heures pour le rétablissement des conditions idéales de conservation des aliments.

## Précautions et conseils

! L'appareil a été conçu et fabriqué conformément aux normes internationales de sécurité. Ces conseils sont fournis pour des raisons de sécurité et doivent être lus attentivement.



Cet appareil est conforme aux Directives Communautaires suivantes :

- 73/23/CEE du 19/02/73 (Basse Tensione) et modifications suivantes;
- 89/336/CEE du 03/05/89 (Compatibilité Electromagnétique) et modifications suivantes;
- 2002/96/CE.

### Sécurité Générale

- Cet appareil a été conçu pour un usage familial, de type non professionnel.
- Cet appareil qui sert à conserver et à congeler des aliments ne doit être utilisé que par des adultes conformément aux instructions du mode d'emploi.
- Cet appareil ne doit pas être installé en extérieur, même dans un endroit à l'abri, il est en effet très dangereux de le laisser exposé à la pluie et aux orages.

- Ne touchez pas à l'appareil pieds nus ou si vos mains ou pieds sont mouillés ou humides.
- Ne touchez pas aux parties refroidissantes: vous pourriez vous brûler ou vous blesser.
- Pour débrancher la fiche de la prise de courant, sortez la fiche, ne tirez surtout pas sur le câble.
- Avant d'effectuer toute opération de nettoyage ou d'entretien, débranchez la fiche de la prise de courant. Il ne suffit pas de placer le bouton de REGLAGE DE LA TEMPERATURE sur ● (appareil éteint) pour éliminer tout contact électrique.
- En cas de panne, n'essayez en aucun cas d'accéder aux mécanismes internes pour tenter de réparer l'appareil.
- Ne pas utiliser, à l'intérieur des compartiments de conservation pour aliments congelés, d'ustensiles pointus et coupants ou d'appareils électriques d'un type autre que celui recommandé par le fabricant.
- Ne pas porter à la bouche des glaçons à peine sortis du congélateur.
- Cet appareil n'est pas prévu pour être utilisé par des personnes (y compris les enfants) dont les capacités physiques, sensorielles ou mentales sont réduites, ou des personnes dénuées d'expérience ou de connaissance, sauf si elles ont pu bénéficier, par l'intermédiaire d'une personne responsable de leur sécurité, d'une surveillance ou d'instructions préalables concernant l'utilisation de l'appareil. Il convient de surveiller les enfants afin qu'ils ne jouent pas avec l'appareil.
- Les emballages ne sont pas des jouets pour enfants.

### Mise au rebut

- Mise au rebut du matériel d'emballage : conformez-vous aux réglementations locales, les emballages pourront ainsi être recyclés.
- La Directive Européenne 2002/96/EC sur les Déchets des Equipements Electriques et Electroniques (DEEE), exige que les appareils ménagers usagés ne soient pas jetés dans le flux normal des déchets municipaux. Les appareils usagés doivent être collectés séparément afin d'optimiser le taux de récupération et le recyclage des matériaux qui les composent et réduire l'impact sur la santé humaine et l'environnement. Le symbole de la "poubelle barrée" est apposée sur tous les produits pour rappeler les obligations de collecte séparée. Les consommateurs devront contacter les autorités locales ou leur revendeur concernant la démarche à suivre pour l'enlèvement de leur vieil appareil.

### Economies et respect de l'environnement

- Installez votre appareil dans un endroit frais et bien aéré, protégez-le contre l'exposition directe aux rayons du soleil et ne le placez pas près de sources de chaleur.
- Pour introduire ou sortir les aliments, n'ouvrez les portes de l'appareil que le temps strictement nécessaire. Chaque ouverture de porte cause une considérable dépense d'énergie.
- Ne chargez pas trop votre appareil: pour une bonne conservation des aliments, le froid doit pouvoir circuler librement. Si la circulation est entravée, le compresseur travaillera en permanence.
- N'introduisez pas d'aliments chauds : ces derniers font monter la température intérieure ce qui oblige le compresseur à travailler beaucoup plus en gaspillant un tas d'électricité.
- Dégivrez l'appareil dès que de la glace se dépose (voir Entretien); une couche de glace trop épaisse gêne considérablement la cession de froid aux aliments et augmente la consommation d'électricité.
- Gardez toujours les joints propres et en bon état pour qu'ils adhèrent bien aux portes et ne laissent pas le froid s'échapper (voir Entretien).

## Anomalies et remèdes

Il peut arriver que l'appareil ne fonctionne pas. Avant de téléphoner au service de dépannage (voir Assistance), contrôlez s'il ne s'agit pas d'un problème facile à résoudre à l'aide de la liste suivante.

#### Le voyant vert ALIMENTATION ne s'allume pas.

- La fiche n'est pas branchée dans la prise de courant ou pas assez enfoncée pour qu'il y ait contact ou bien il y a une coupure de courant.

#### Voyant ALARME allumée en permanence

- La porte n'est pas bien fermée ou a été ouverte continuellement.
- La porte est ouverte trop souvent.
- La position du bouton de REGLAGE DE LA TEMPERATURE n'est pas correcte

#### Le moteur est branché en permanence.

- La porte n'est pas bien fermée ou trop souvent ouverte.
- La température à l'extérieur est très élevée.
- L'épaisseur du givre dépasse 2-3 mm (voir Entretien).

#### L'appareil est très bruyant.

- L'appareil n'a pas été installé bien à plat (voir Installation).
- L'appareil est installé entre des meubles ou des objets qui vibrent et font du bruit.
- Le gaz réfrigérant interne produit un léger bruit même quand le compresseur est à l'arrêt : il ne s'agit pas d'un défaut, c'est tout à fait normal.

## Installation

! Es ist äußerst wichtig, diese Bedienungsanleitung sorgfältig aufzubewahren, um sie jederzeit zu Rate ziehen zu können. Sorgen Sie dafür, dass sie im Falle eines Umzugs oder Übergabe an einen anderen Benutzer das Gerät stets begleitet, damit auch der Nachbesitzer die Möglichkeit hat, diese zu Rate zu ziehen.

! Lesen Sie bitte folgende Hinweise aufmerksam durch, sie liefern wichtige Informationen hinsichtlich der Installation, dem Gebrauch und der Sicherheit.

### Aufstellort und elektrischer Anschluss

#### Aufstellort

1. Stellen Sie das Gerät in einem gut belüfteten und trockenen Raum auf.
2. Die hinteren Belüftungsöffnungen dürfen nicht zugestellt bzw. abgedeckt werden: Kompressor und Kondensator geben Wärme ab und benötigen eine gute Belüftung um optimal zu arbeiten und den Stromverbrauch nicht unnötig zu erhöhen
3. Lassen Sie einen Freiraum von mindestens 10 cm oberhalb des Gerätes, und mindestens 5 cm zwischen den Geräteseiten und angrenzenden Schrankseiten bzw. Wänden.
4. Stellen Sie das Gerät fern von Wärmequellen auf (Sonnenlicht, Elektroherd).
5. Zur Einhaltung eines optimalen Abstandes des Gerätes von der Wand sind die im Installationsbausatz befindlichen Abstandsstücke zu montieren. Befolgen Sie hierzu die Hinweise des dem Bausatz beigelegten Arbeitsblattes.

#### Nivellierung

1. Stellen Sie das Gerät auf einem ebenen und festen Boden auf.
2. Sollte der Fußboden nicht perfekt eben sein, dann gleichen Sie diese Unebenheit durch entsprechendes Drehen der vorderen Füße aus.

#### Elektrischer Anschluss

Warten Sie nach dem Transport etwa 3 Stunden, bevor Sie das Gerät an das Elektonetz anschließen. Vor Einfügen des Steckers in die Steckdose ist sicherzustellen, dass

- die Steckdose über eine normgerechte Erdung verfügt;
- die Steckdose die auf dem Typenschild (befindlich im Kühlschrankschrank unten links) angegebene max. Leistungsaufnahme des Gerätes trägt (z.B. 150 W);
- die Netzspannung den auf dem Typenschild (befindlich in der Kühlzone unten links) angegebenen Werten entspricht z.B. 220-240 V);
- die Steckdose mit dem Netzstecker übereinstimmt. Sollte dies nicht der Fall sein, dann lassen Sie den Stecker durch autorisiertes Fachpersonal (siehe Kundendienst) austauschen; verwenden Sie auf keinen Fall Verlängerungen oder Vielfachsteckdosen.

! Netzkabel und Stecker müssen bei installiertem Gerät leicht zugänglich sein.

! Das Netzkabel darf nicht gebogen bzw. eingeklemmt werden.

! Das Kabel muss regelmäßig kontrolliert werden und darf nur durch autorisiertes Fachpersonal ausgetauscht werden (siehe Kundendienst).

**! Der Hersteller lehnt jede Verantwortung ab, falls diese Vorschriften nicht eingehalten werden sollten.**

## Inbetriebsetzung und Gebrauch

### Einschalten Ihres Gerätes

**! Bevor Sie Ihr Gerät in Betrieb setzen, beachten Sie bitte aufmerksam die Installationshinweise (siehe Installation).**

! Bevor Sie das Gerät anschließen, müssen die Fächer und das Zubehör gründlich mit lauwarmem Wasser und Bikarbonat gereinigt werden.

1. Stecken Sie den Netzstecker in die Steckdose und vergewissern Sie sich, dass die grüne Kontrollleuchte STROMVERSORGUNG und die rote Kontrollleuchte ALARM leuchten (der TEMPERATURSCHALTER darf nicht auf ● stehen).
2. Stellen Sie den TEMPERATURSCHALTER nach dem Ausschalten der roten Kontrollleuchte auf eine mittlere Position. Der Gefrierschrank ist nun einsatzbereit.

### Optimaler Gebrauch des Gefrierfachs

- Stellen Sie über den TEMPERATURSCHALTER die Temperatur ein (siehe Beschreibung).
- An- oder aufgetautes Gefriergut darf nicht wieder eingefroren werden. Solche Lebensmittel müssen zu einem Fertiggericht verarbeitet werden (innerhalb 24 Std.)
- Bereits gefrorene Lebensmittel dürfen nicht mit den frisch einzufrierenden Lebensmitteln in Berührung kommen. Letztere müssen in der oberen Schale GEFRIEREN und LAGERN eingefroren werden. Dort sinkt die Temperatur unter -18°C, die Speisen werden demnach schnell und schonend eingefroren.
- Lagern Sie in der Gefrierzone bitte keine hermetisch verschlossenen Glasflaschen mit Flüssigkeiten, beim Gefrieren könnten sie platzen.
- Die Höchstmenge an Lebensmitteln, die täglich eingefroren werden kann, ist auf dem Typenschild (befindlich in der Gefrierzone) ersichtlich (Beispiel: Kg/24h 4).
- Für mehr Platz in der Gefrierzone können Sie die Schalen herausnehmen (mit Ausnahme der untersten Schale) und die Lebensmittel direkt auf die Verdunsterplatten legen.

! Während des Schnellgefrierens sollte das Öffnen der Tür vermieden werden.

! Auch während eines Stromausfalls oder einer Störung sollte die Gefrierfachtür nicht geöffnet werden: Das Gefrier- bzw. Tiefkühlgut hält sich so unverändert für ungefähr 9-14 Stunden.

! Kontrollleuchte ALARM. Wenn diese rote Kontrolllampe für einen längeren Zeitraum aufleuchtet, dann bedeutet das, daß der Gefrierschrank nicht ordnungsgemäß funktioniert, und daß die Temperatur zu sehr ansteigt. (Fordern Sie unseren technischen Kundendienst an).

Diese Signallampe kann kurzfristig aufleuchten:

- a) wenn die Tür zu lange aufsteht (bei Einladen oder Herausnehmen von Gefriergut);

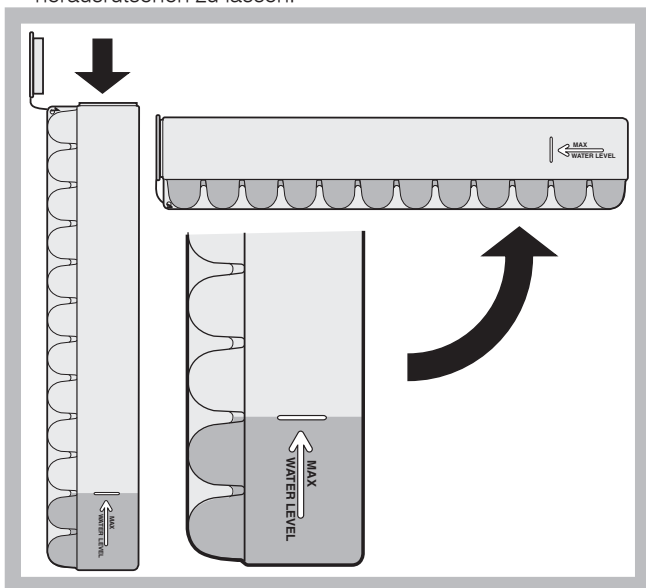
Signallampe weder eine Anomalie noch einen Defekt des Gefrierschranks.

### Eisschale Ice<sup>3</sup>\*

Dank der Positionierung dieses Behälters oben an den Schalen der Gefrierzone ist größere Ergonomie und Sauberkeit gewährleistet: Die Berührung mit dem gelagerten Gefriergut wird vermieden, wie auch ein Verschütten von Wasser beim Füllen des Behälters (ein entsprechender Verschluss, mit dem die Öffnung nach Füllen verschlossen werden kann, wird mitgeliefert).

1. Ziehen Sie die Eswürfelschale nach oben hin heraus Vergewissern Sie sich, dass die Schale ganz leer ist und füllen Sie sie durch die entsprechende Öffnung.

- Die angezeigte Füllmenge bitte nicht überschreiten (MAX WATER LEVEL). Zu viel Wasser behindert das Herausnehmen der Eiswürfel (in einem solchen Fall warten Sie, bis das Eis schmilzt und entleeren Sie die Schale).
- Drehen Sie die Schale um 90°: das Wasser läuft in die einzelnen, durch kleine Adern verbundenen Formen (siehe Abbildung)
- Schließen Sie die Öffnung mit dem mitgelieferten Deckel. Fügen Sie die Schale oben in den entsprechenden Sitz ein und lassen Sie sie nach unten gleiten.
- Die geformten Eiswürfel (Mindestzeit ca. 8 Std.) können durch leichtes Aufschlagen des Behälters auf eine harte Oberfläche gelöst werden, um sie dann durch die Öffnung herausrutschen zu lassen.



## Wartung und Pflege

### Abschalten Ihres Gerätes vom Stromnetz

Bei Reinigungs- und Wartungsmaßnahmen muss das Gerät vom Stromnetz getrennt werden:

- Drehen Sie den Schalter TEMPERATURSCHALTER auf ●,
- und ziehen Sie den Netzstecker aus der Steckdose.

### Reinigung Ihres Gerätes

- Das Gehäuse des Gerätes, außen und innen, sowie die Türdichtungen können mit einem mit Wasser und Bikarbonat oder einer milden Spüllauge getränkten Schwamm gereinigt werden. Vermeiden Sie Löse-, Scheuer-, Bleichmittel oder Ammoniak.
- Das Zubehör kann herausgenommen und in einer warmen Spüllauge gereinigt werden. Anschließend sorgfältig klarspülen und trockenreiben.
- Auf der Geräterückseite könnte sich Staub ablagern. Dieser kann vorsichtig mit dem langen Rohrstutzen des auf eine geringe Leistung eingestellten Staubsaugers entfernt werden, jedoch nicht ohne das Kühlgerät vom Stromnetz getrennt zu haben.

### Vermeidung von Schimmelpilz- und Geruchsbildung

- Das Gerät wurde mit hygienischen Materialien gefertigt, die keine Gerüche übertragen. Um diese Eigenschaft nicht zu verlieren, sind die Lebensmittel stets gut verschlossen bzw. verpackt zu lagern. Hierdurch wird auch die Bildung von Flecken vermieden.

\* Unterschiedliche Anzahl und Platzierung, nicht bei allen Modellen.

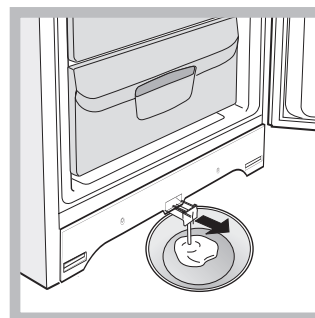
- Soll das Gerät für längere Zeit stillgelegt werden, reinigen Sie den Innenraum und lassen Sie die Gerätetür offenstehen.

### Abtauen Ihres Gerätes

! Verfahren Sie hierzu wie nachstehend beschrieben. Beschleunigen Sie diesen Prozess nicht durch Einsatz von anderen Gegenständen als den mitgelieferten Schaber (nicht bei allen Modellen). Sie könnten das Gerät beschädigen.

Ist die Reifschicht jedoch zu dick, muss manuell abgetaut werden:

- Stellen Sie nach 24 Stunden den TEMPERATURSCHALTER auf ●:
- Wickeln Sie das Gefrier- bzw. Tiefkühlgut dicht ein und legen Sie es in einen anderen Tiefkühlschrank oder bewahren Sie es an einem ähnlich kalten Ort auf.
- Lassen Sie die Gerätetür offen stehen, bis der Reif völlig aufgetaut ist. Dies kann durch Einstellen eines Topfes mit warmem Wasser beschleunigt werden.
- Einige Modelle sind mit dem DRAIN SYSTEM, das das Tauwasser nach außen ableitet, ausgestattet. Lassen Sie das Tauwasser darüber in eine Schale laufen (siehe Abbildung).



- Reinigen Sie die Gefrierzone gründlich und trocknen Sie sie sorgfältig aus, bevor Sie das Gerät wieder einschalten.
- Warten Sie bitte 2 Stunden, bis die idealen Gefrierbedingungen wieder gegeben sind, bevor Sie das Gefriergut in die Gefrierzone geben.

## Vorsichtsmaßnahmen und Hinweise

! Das Gerät wurde nach den strengsten internationalen Sicherheitsvorschriften entworfen und gebaut. Nachstehende Hinweise werden aus Sicherheitsgründen geliefert und sollten aufmerksam gelesen werden.



Dieses Gerät entspricht den folgenden EG-Richtlinien:  
 - 73/23/EWG vom 19.02.73 (Niederspannung) und nachfolgenden Änderungen  
 - 89/336/EWG vom 03.05.89 (elektromagnetische Verträglichkeit) und nachfolgenden Änderungen.  
 - 2002/96/CE.

### Allgemeine Sicherheit

- Dieses Gerät ist für den nicht professionellen Einsatz im privaten Haushalt bestimmt.
- Das Gerät ist zum Kühlen und Einfrieren von Lebensmitteln zu verwenden, und nur von Erwachsenen gemäß den



Hinweisen der vorliegenden Gebrauchsanleitungen zu benutzen.

- Der Kühl-/ und Gefrierkombi darf nicht im Freien aufgestellt werden, auch nicht, wenn es sich um einen geschützten Platz handelt. Es ist gefährlich, das Gerät Gewittern und Unwettern auszusetzen.
- Berühren Sie das Gerät nicht, wenn Sie barfuß sind, und auch nicht mit nassen oder feuchten Händen oder Füßen.
- Berühren Sie nicht den Rückwandverdampfer: es besteht Verletzungsgefahr.
- Ziehen Sie den Gerätestecker nicht am Netzkabel aus der Steckdose, sondern nur am Stecker selbst.
- Vor allen Reinigungs- und Wartungsmaßnahmen muss der Netzstecker gezogen werden. Es genügt nicht, den TEMPERATURSCHALTER auf Position ● (Gerät ausgeschaltet) zu drehen, um jeglichen Stromkontakt auszuschließen.
- Bei etwaigen Störungen versuchen Sie bitte nicht, das Gerät selbst zu reparieren.
- Verwenden Sie im Innern der Gefriergutlagerfächer bitte keine scharfen oder spitzen Gegenstände oder Elektrogeräte, sondern nur die vom Hersteller erlaubten Hilfsmittel.
- Eiswürfel nicht sofort in den Mund nehmen.
- Dieses Gerät ist nicht zur Verwendung durch Personen (einschließlich Kinder) mit eingeschränkten körperlichen, geistigen oder Wahrnehmungsfähigkeiten oder aber ohne ausreichende Erfahrung und Kenntnis geeignet, es sei denn unter Aufsicht oder Anleitung durch eine für ihre Sicherheit verantwortliche Person. Kinder sind zu beaufsichtigen, um zu verhindern, dass sie mit dem Gerät spielen.“
- Verpackungsmaterial ist kein Spielzeug für Kinder.

## Entsorgung

- Entsorgung des Verpackungsmaterials: Befolgen Sie die lokalen Vorschriften, Verpackungsmaterial kann wiederverwertet werden.
- Gemäß der Europäischen Richtlinie 2002/96/EC über Elektro- und Elektronik-Altgeräte (WEEE) dürfen Elektrohaushalts-Altgeräte nicht über den herkömmlichen Haushaltsmüllkreislauf entsorgt werden. Altgeräte müssen separat gesammelt werden, um die Wiederverwertung und das Recycling der beinhaltenen Materialien zu optimieren und die Einflüsse auf die Umwelt und die Gesundheit zu reduzieren. Das Symbol „durchgestrichene Mülltonne“ auf jedem Produkt erinnert Sie an Ihre Verpflichtung, dass Elektrohaushaltsgeräte gesondert entsorgt werden müssen.

Endverbraucher können sich an Abfallämter der Gemeinden wenden, um mehr Informationen über die korrekte Entsorgung ihrer Elektrohaushaltsgeräte zu erhalten.

## Energie sparen und Umwelt schonen

- Stellen Sie das Gerät in einem trockenen, gut belüftbaren Raum auf, nicht direkt in der Sonne oder in der Nähe von Wärmequellen.
- Öffnen Sie die Gerätetür so kurz wie möglich, wenn Sie Lebensmittel lagern oder herausnehmen. Bei jeder Türöffnung geht wertvolle Energie verloren.
- Das Gerät sollte nicht überladen werden: Zur Haltbarkeit der Lebensmittel muss die Kälte frei zirkulieren können. Die Behinderung der Zirkulation hat zur Folge, dass der Kompressor ständig arbeitet.
- Stellen Sie keine warmen Speisen in das Gerät: sie würden die Temperatur erheblich erhöhen und den Kompressor zu einer höheren Leistung zwingen, was eine unnötige Verschwendung an Energie bedeutet.
- Sobald sich Eis bildet, muss das Gerät abgetaut werden (siehe Wartung), eine dicke Eisschicht erschwert die Kälteübertragung auf das Kühlgut und erhöht den Stromverbrauch.

- Halten Sie die Dichtungen stets effizient und sauber, damit sie ordnungsgemäß an den Türen anhaften und die Kälte nicht entweichen lassen (siehe Wartung).

## Störungen und Abhilfe

Gerätestörung: Bevor Sie sich an den Technischen Kundendienst wenden (siehe Kundendienst), vergewissern Sie sich bitte zuerst, ob es sich um eine Kleinigkeit handelt, die Sie selbst beheben können. Ziehen Sie hierzu nachstehendes Verzeichnis zu Rate.

### Die grüne Kontrollleuchte STROMVERSORGUNG leuchtet nicht.

- Der Netzstecker steckt nicht in der Steckdose, oder er sitzt nicht fest, so dass kein Kontakt hergestellt wird; oder es besteht ein Stromausfall.

### Die Kontrollleuchte ALARM ist immer eingeschaltet.

- Die Tür ist nicht richtig geschlossen oder wird dauernd geöffnet.
- Die Tür wird sehr oft geöffnet.
- Der TEMPERATURSCHALTER ist nicht richtig eingestellt.

### Der Motor läuft ununterbrochen.

- Die Tür ist nicht richtig geschlossen oder wird zu häufig geöffnet.
- Die Umgebungstemperatur ist sehr hoch.
- Die Reifschicht ist stärker als 2-3 mm (siehe Wartung).

### Das Betriebsgeräusch ist zu stark.

- Das Gerät wurde nicht eben aufgestellt (siehe Installation).
- Das Gerät wurde zwischen Möbelteilen oder Gegenständen aufgestellt, die vibrieren und daher zur Geräuschbildung Ihres Gerätes beitragen.
- Das Kühlmittel verursacht ein leises Geräusch auch wenn der Kompressor nicht arbeitet: dies ist kein Fehler sondern ganz normal.

## Installatie

! Bewaar dit boekje zorgvuldig voor eventuele toekomstige raadpleging. Wanneer u het product weggeeft, verkoopt of wanneer u verhuist, dient u dit boekje bij het apparaat te bewaren zodat alle nodige informatie voorhanden blijft.  
! Lees de gebruiksaanwijzingen zorgvuldig door: er staat belangrijke informatie in over installatie, gebruik en veiligheid.

### Plaatsen en aansluiten

#### Plaatsen

1. Plaats het apparaat in een goed geventileerd en droog vertrek.
2. Laat de ventilatieroosters aan de achterzijde vrij: de compressor en de condensator geven warmte af en vereisen een goede ventilatie om goed te functioneren en het elektriciteitsverbruik te beperken.
3. Laat een afstand van minstens 10 cm vrij tussen de bovenkant van het apparaat en eventuele bovenstaande meubels. Laat ook een afstand van minstens 5 cm tussen de zijkanten en nevenstaande meubels/wanden.
4. Houdt het apparaat ver van hittebronnen vandaan (direct zonlicht, elektrisch gasfornuis).
5. Om de juiste afstand tussen het apparaat en de achterwand te behouden, moet u de afstandhouders monteren die zich in de installatiekit bevinden, volgens de instructies op het speciale instructieblad.

#### Nivellering

1. Plaats het apparaat op een rechte en stevige vloer.
2. Mocht de vloer niet volledig horizontaal zijn, draai dan aan de verstelbare pootjes aan de voorkant om het apparaat waterpas te krijgen.

#### Elektrische aansluiting

Zet het apparaat na het transport verticaal en wacht minstens 3 uur voordat u het aansluit aan het elektriciteitsnet. Voordat u de stekker in het stopcontact steekt, dient u zich ervan te verzekeren dat:

- het stopcontact geaard is en voldoet aan de geldende normen;
- het stopcontact in staat is het maximale vermogen van het apparaat te dragen, zoals aangegeven op het typeplaatje dat zich onderin links in het koelgedeelte bevindt (bv. 150 W);
- de spanning zich bevindt tussen de waarden die staan aangegeven op het typeplaatje, dat zich onderin links bevindt (bv. 220-240 V);
- het stopcontact en de stekker overeenkomen. Als dat niet het geval is, dient een erkende monteur de stekker te vervangen (zie Service); gebruik geen verlengsnoeren of dubbelstekkers.

! Wanneer het apparaat geïnstalleerd is, moeten het snoer en het stopcontact makkelijk te bereiken zijn.

! Het snoer mag niet worden gebogen of samengedrukt.

! Het snoer moet van tijd tot tijd worden gecontroleerd en mag alleen door erkende monteurs worden vervangen (zie Service).

**! De fabrikant kan niet verantwoordelijkheid worden gesteld als deze normen niet worden nageleefd.**

\* Deze kunnen variëren voor wat betreft aantal of positie, alleen op enkele modellen aanwezig.

## Starten en gebruik

### Het apparaat starten

**! Voordat u het apparaat in gebruik stelt, dient u de instructies voor wat betreft de installatie na te volgen (zie Installatie).**

! Voordat u het apparaat aansluit, dient u zowel het koel- als het diepvriesgedeelte, alsook het toebehoren met lauw water en soda te reinigen.

1. Steek de stekker in het stopcontact en let op of het groene controlelampje VOEDING aan gaat zowel als het rode ALARM (de knop REGELEN VAN DE TEMPERATUUR moet niet op ● staan).
2. Als het rode controlelampje is uitgegaan zet u de knop REGELEN VAN DE TEMPERATUUR op een gemiddelde stand. Nu kan de freezer in gebruik worden genomen.

### Optimaal gebruik van de diepvrieskast

- Vries nooit etenswaar in die op het punt staat te ontdooien of al is ontdooid; dergelijke etenswaar moet gelijk worden gekookt en gegeten (binnen 24 uur).
- Verse etenswaren die moeten worden ingevroren mogen nooit in contact raken met etenswaren die al bevroren zijn; verse etenswaren moeten in het bovenste INVRIES- en BEWAARGEDEELTE worden gezet, waar de temperatuur de -18°C of lager bereikt en waar ze snel worden ingevroren.
- Plaats nooit glazen flessen met vloeistof in de diepvrieskast, vooral niet als er een dop op zit of als ze hermetisch zijn afgesloten, ze zouden kunnen barsten.
- De maximum hoeveelheid die men dagelijks in kan vriezen is aangegeven op het typeplaatje in de koelkast. (Kg/24h 4).
- Als u de laden van de freezer van hun plaats haalt (behalve die onderin) krijgt u meer ruimte in dat vak en kunt u de etenswaren rechtstreeks op de evaporatievlakken plaatsen.

! Open de deur van de diepvrieskast niet tijdens het invriezen.

! Wanneer de stroom wegvalt of wanneer er een storing optreedt, dient u de deur van de diepvrieskast niet te openen: de levensmiddelen blijven op deze manier nog ongeveer 9 à 14 uur goed bewaard.

! Controlelampje ALARM. Als dit rode controlelampje aan gaat en aan blijft, dan betekent het dat de vrieskast niet regelmatig functioneert en dat de temperatuur te hoog wordt. (U moet de Technische Dienst erbij halen)

Dit lampje kan voor een korte periode aangaan:

- a) als de deur iets te lang open is geweest (voor het inladen of eruit halen van levensmiddelen);

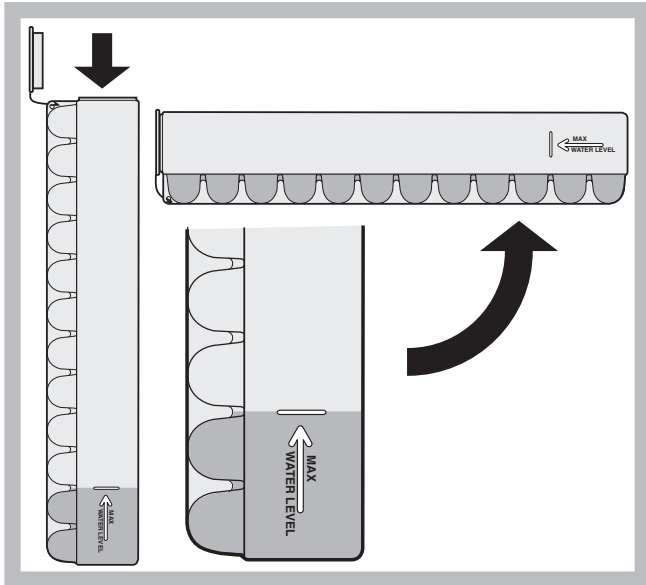
In deze gevallen betekent het aangaan van het controlelampje niet dat er een storing van de vrieskast is opgetreden.

### Ijsblokeshouder Ice<sup>3\*</sup>

Het feit dat ze bovenop de laden van de freezer zijn geplaatst zorgt voor de beste ergonomie en reinheid: de ijsblokjes komen niet meer in contact met de etenswaren in de freezer: bovendien wordt water knoeien tijdens het opvullen vermeden (ook de deksel voor het afsluiten van het gat na het opvullen is bijgeleverd).

1. Haal de ijsblokeshouder uit de deur door hem eerst naar de houders door middel van de communicerende vaten (zie afbeelding).
2. Zorg ervoor nooit het aangegeven niveau te overschrijden (MAX WATER LEVEL). Teveel water belemmert het loskomen van de ijsblokjes (mocht dit gebeuren, wacht dan tot het ijs gesmolten is en leeg de houder).
3. Draai de houder 90°: het water vult de houders door middel van de communicerende vaten (zie afbeelding).

- Sluit de opening af met bijgeleverde dop en zet de houder weer op zijn plaats. Plaats eerst de bovenkant en laat hem dan naar beneden zakken.
- Als het ijs is gevormd (minstens 8 uur) moet u de houder tegen een hard oppervlak stoten en de buitenkant ervan natmaken. Op deze manier raken de ijsblokjes los en kunt u ze er door de opening uithalen.



## Onderhoud en verzorging

### De elektrische stroom afsluiten

Tijdens schoonmaak of onderhoud moet u het apparaat afsluiten van de elektrische stroom:

- zet de knop **REGELEN VAN DE TEMPERATUUR** op ●;
- haal de stekker uit het stopcontact.

### Het apparaat reinigen

- De buitenkant, de binnenkant en de rubberen afdichtingen kunnen worden schoongemaakt met een lauwe spons en soda of een neutraal schoonmaakmiddel. Gebruik geen oplosmiddelen, schuurmiddelen, chloor of ammonia.
- Het uitneembare toebehoren kan worden afgewassen met warm water en schoonmaak- of afwasmiddelen. Spoel en droog alles goed af.
- De achterkant van het apparaat vangt veel stof op. Na het apparaat te hebben uitgezet en de stroom te hebben afgesloten kunt u dit opzuigen met de lange buis van de stofzuiger, op middelmatig vermogen.

### Het vermijden van schimmel en vervelende luchtjes

- Het apparaat is vervaardigd uit hygiënisch materiaal dat geen luchtjes absorbeert. Teneinde deze eigenschappen te behouden moet u levensmiddelen altijd goed bewaren en afsluiten. Hierdoor vermijdt u ook het vormen van vlekken.
- Als u het apparaat voor langere tijd uitzet moet u de binnenkant reinigen en de deuren openlaten.

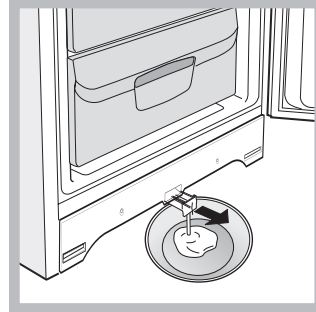
### Het apparaat ontdooien

! Houdt u aan onderstaande instructies.

Probeer het proces niet te versnellen door middel van apparaten of gereedschap anders dan bijgeleverd schrapertje (alleen op enkele modellen aanwezig). U zou het koelcircuit kunnen beschadigen.

Als de ijslaag dikker is dan 5 mm moet u een handmatige ontdooiing uitvoeren:

- Na 24 uren zet u de knop **REGELEN VAN DE TEMPERATUUR** op ●.
- Omwikkel de etenswaren uit de diepvries met papier en leg ze op een koele plaats.
- Laat de deur van de diepvrieskast open totdat het ijs compleet gesmolten is; dit proces kunt u versnellen door er bakken met lauw water in neer te zetten.
- Enkele apparaten zijn voorzien van een **DRAINAGE SYSTEEM** om het water naar buiten af te voeren: zet het bijgeleverde schrapertje in de speciale gleuf onderaan en laat het water in een bak lopen (zie afbeelding).



- Maak de diepvrieskast goed schoon en droog hem grondig af voordat u hem weer aanzet.
- Nadat u de etenswaren in de diepvrieskast heeft geplaatst moet u circa 2 uur wachten totdat het apparaat weer op normale wijze functioneert.

## Voorzorgsmaatregelen en advies

! Het apparaat is ontworpen en vervaardigd volgens de geldende internationale veiligheidsvoorschriften. Deze aanwijzingen zijn geschreven voor uw veiligheid en u dient ze derhalve goed door te nemen.



Dit apparaat voldoet aan de volgende EU Richtlijnen:

- 73/23/EEG van 19/02/73 (Laagspanning) en daaropvolgende wijzigingen;
- 89/336/EEG van 03/05/89 (Elektromagnetische Compatibiliteit) en daaropvolgende wijzigingen;
- 2002/96/CE.

### Algemene veiligheid

- Dit apparaat is vervaardigd voor niet-professioneel gebruik binnenshuis.
- Het apparaat dient te worden gebruikt voor het bewaren en het invriezen van levensmiddelen. Het dient uitsluitend door volwasseneren te worden bediend, volgens de aanwijzingen die aangegeven zijn in dit instructieboekje.
- Het apparaat dient niet buitenshuis te worden geplaatst, ook niet in overdekte toestand. Het is erg gevaarlijk als het in aanraking komt met regen of als het onweert.
- Raak het apparaat niet blootsvoets of met natte handen of voeten aan.
- Raak nooit de koelelementen aan de binnenkant aan: u zou zich kunnen verbranden of verwonden.
- Haal de stekker nooit uit het stopcontact door aan het snoer te trekken.

- Maak de koelkast niet schoon of voer geen onderhoud uit als de stekker nog in het stopcontact zit. Het is niet voldoende langer dan twee seconden de toets ON/OFF op de display ingedrukt te houden om elke elektrische verbinding te verbreken.
- Als het apparaat defect is, mag u nooit aan het interne systeem sleutelen om een reparatie uit te voeren.
- Gebruik in de vakken waar ingevroren levensmiddelen worden bewaard geen scherpe of puntige voorwerpen of elektrische apparaten die niet door de fabrikant worden aanbevolen.
- Plaats nooit ijsblokjes die net uit de diepvrieskast komen in uw mond.
- Dit apparaat is niet geschikt voor gebruik door personen (inclusief kinderen) met fysieke, sensorische of mentale beperkingen, of die geen ervaring of kennis hebben, tenzij ze door een persoon die verantwoordelijk is voor hun veiligheid begeleid worden bij of geïnstrueerd zijn over het gebruik van het apparaat. Kinderen moeten gecontroleerd worden om te zorgen dat ze niet met het apparaat spelen.
- Het verpakkingsmateriaal is geen speelgoed voor kinderen.

### Afvalverwijdering

- Verwijdering van het verpakkingsmateriaal: houdt u aan de plaatselijke normen, zodat het verpakkingsmateriaal hergebruikt kan worden.
- De Europese Richtlijn 2002/96/EC over Vernietiging van Elektrische en Electronische Apparatuur (WEEE), vereist dat oude huishoudelijke elektrische apparaten niet mogen vernietigd via de normale ongesorteerde afvalstroom. Oude apparaten moeten apart worden ingezameld om zo het hergebruik van de gebruikte materialen te optimaliseren en de negatieve invloed op de gezondheid en het milieu te reduceren. Het symbool op het product van de "afvalcontainer met een kruis erdoor" herinnert u aan uw verplichting, dat wanneer u het apparaat vernietigt, het apparaat apart moet worden ingezameld. Consumenten moeten contact opnemen met de lokale autoriteiten voor informatie over de juiste wijze van vernietiging van hun oude apparaat.

### Het milieu sparen en respecteren

- Plaats het apparaat in een koele, goed geventileerde ruimte, behoedt het voor directe zonnestralen, plaats het niet dichtbij warmtebronnen.
- Laat de deur, wanneer u etenswaren in de koel- of diepvrieskast zet of eruit haalt, zo kort mogelijk openstaan. Elke keer dat de deur opengaat ontstaat een aanzienlijk energieverlies.
- Vul het apparaat niet met teveel etenswaren: voor een optimale conservering moet de koude luchtstroom vrijuit kunnen circuleren. Als u de circulatie belemmert, zal de compressor constant blijven werken.
- Zet geen warme levensmiddelen in het apparaat: deze zouden de binnentemperatuur verhogen waardoor de compressor harder werkt en er een groter elektrisch verbruik ontstaat.
- Houdt de afdichtingen efficiënt en schoon, zodat ze goed aan de deuren sluiten en de kou niet laten ontsnappen (zie Onderhoud).

## Storingen en oplossingen

Het zou kunnen gebeuren dat het apparaat niet functioneert. Voordat u de Servicedienst belt (zie Service), moet u controleren dat het geen probleem is dat u kunt oplossen met behulp van volgende lijst.

### Het groene controlelampje ELEKTRISCHE VOEDING gaat niet aan.

- De stekker zit niet in het stopcontact, of niet voldoende om contact te maken. Wellicht zit het hele huis zonder stroom.

### Het controlelampje ALARM blijft altijd aan.

- De deur is niet goed dicht of wordt voortdurend open gemaakt.
- De deur wordt vaak open gemaakt.
- De knop REGELEN VAN DE TEMPERATUUR staat niet op de juiste stand.

### De motor blijft voortdurend functioneren.

- De deur is niet goed dicht of wordt constant geopend.
- De buitentemperatuur is erg hoog.
- De ijslaag is meer dan 2-3 mm hoog (zie Onderhoud).

### Het apparaat maakt veel lawaai.

- Het apparaat staat niet waterpas (zie Installatie).
- Het apparaat staat tussen meubels of objecten die trillen of geluid maken.
- Het verkoelingsgas maakt een licht geluid ook wanneer de compressor stil staat: dit is normaal, het is geen storing.

## Instalace

! Je důležité uschovat tento návod za účelem jeho další konzultace. V případě prodeje, darování nebo stěhování se ujistěte, že zůstane spolu se zařízením, aby informoval nového vlastníka o jeho činnosti a o příslušných upozorněních.

! Pozorně si přečtěte uvedené pokyny: obsahují důležité informace týkající se instalace, použití a bezpečnosti.

### Umístění a zapojení

#### Umístění

1. Zařízení umístěte do dobře větraného prostoru s nízkou vlhkostí.
2. Ponechte zadní ventilační otvory volně přístupné: Kompresor a kondenzátor jsou zdroji tepla a ke své činnosti charakterizované úsporou elektrické energie vyžadují dobrou ventilaci.
3. Mezi horní částí zařízení a případným nábytkem nacházejícím se nad zařízením ponechte vzdálenost alespoň 10 cm a mezi bočními stěnami a nábytkem/bočními stěnami alespoň 5 cm.
4. Udržujte zařízení v dostatečné vzdálenosti od zdrojů tepla (přímé sluneční světlo, elektrický sporák).
5. Abyste zajistili optimální vzdálenost výrobku od zadní stěny, namontujte rozpěrky z instalační sady; při montáži postupujte dle pokynů uvedených v příslušném specifickém listu.

#### Umístění do vodorovné polohy

1. Zařízení nainstalujte na pevnou rovnou podlahu.
2. V případě, že podlaha není dokonale vodorovná, vykompenzujte zjištěné rozdíly odšroubováním nebo zašroubováním předních nožiček.

#### Elektrické zapojení

Následně po přepravě umístěte zařízení do svislé polohy a před jeho připojením do elektrického rozvodu vyčkejte alespoň 3 hodiny. Před zasunutím zástrčky do zásuvky elektrického rozvodu se ujistěte, že:

- Je zásuvka řádně uzemněna zákonně předepsaným způsobem;
- je zásuvka schopna unést maximální příkon spotřebiče, uvedený na identifikačním štítku umístěném v levé dolní části chladicího prostoru (např. 150 W);
- se napájecí napětí nachází v rozsahu hodnot uvedených na identifikačním štítku umístěném vlevo dole (např. 220-240 V);
- je zásuvka kompatibilní se zástrčkou zařízení. V opačném případě požádejte o výměnu autorizovaného technika (viz Servisní služba); nepoužívejte prodlužovací kabely ani rozvodky.

! Po ukončení instalace zařízení musí být elektrický kabel a zásuvka elektrického rozvodu lehce dostupné.

! Kabel nesmí být vystaven ohýbání nebo stlačování.

! Kabel musí být podrobován pravidelným kontrolám a smí být nahrazen pouze autorizovanými technikami (viz Servisní služba).

**! Výrobce odmítá jakoukoli odpovědnost za případy, kdy nebudou dodržena uvedená pravidla.**

\* Liší se v počtu a/nebo dle polohy. Je součástí pouze některých modelů.

## Uvedení do provozu a použití

### Uvedení zařízení do provozu

**! Před uvedením zařízení do provozu se řiďte pokyny pro instalaci (viz Instalace).**

! Před zapojením zařízení dokonale vyčistěte jednotlivé prostory a příslušenství vlažnou vodou a bikarbonátem.

1. Zasuňte zástrčku do zásuvky a ujistěte se, že se rozsvítí zelená kontrolka NAPÁJENÍ a červená kontrolka ALARM (otočný knoflík REGULACE TEPLITY nesmí být nastaven na ●).
2. Po vypnutí červené kontrolky nastavte otočný knoflík REGULACE TEPLITY do střední polohy. Nyní je možné zahájit používání mrazničky.

### Optimální způsob použití mrazničky

- Prostřednictvím otočného knoflíku REŽIMU ČINNOSTI MRAZNIČKY (viz Popis) nastavte požadovanou teplotu.
- Nezmrazujte znovu potraviny, které se rozmrazují nebo již jsou rozmrazeny; tyto potraviny je třeba uvařit a následně zkonsumovat (do 24 hodin).
- Čerstvé potraviny určené ke zmrazení nesmí být umístěny spolu se zmrazenými potravinami; je třeba je umístit do horního oddělení pro ZMRAZENÍ a KONZERVACI, kde teplota klesá pod -18 °C a kde je zaručena dobrá rychlost zmrazení.
- Nevkládejte do mrazničky uzavřené nebo hermeticky utěsněné skleněné láhve obsahující tekutiny. Mohlo by dojít k jejich roztržení.
- Maximální denní množství mražených potravin je uvedeno na štítku s jmenovitými údaji, umístěném uvnitř mrazničky (například: 4 kg/24h).
- Pokud chcete získat více místa v mrazicím prostoru, můžete vybrat zásuvky z jejich uložení (kromě nejnižší zásuvky) a uložit potraviny přímo na výparnickové desky.

! Během zmrazování potravin neotvírejte dvířka mrazničky.

! V případě přerušení dodávky elektrického proudu nebo při výskytu závady neotvírejte dvířka mrazničky: použitím uvedeného postupu lze uchovat mražená a zmražená jídla beze změny jejich vlastností přibližně 9-14 hodin.

! Kontrolka ALARMU. Když bude tato kontrolka svítit delší dobu, znamená to, že činnost mrazničky není normální a že dochází k přílišnému zvýšení teploty. (Obraťte se na Servisní středisko). Tato kontrolka se může rozsvítit na krátkou dobu v těchto případech:

a) Když zůstanou dvířka otevřena delší dobu (při plnění nebo vyjímání požívatin).

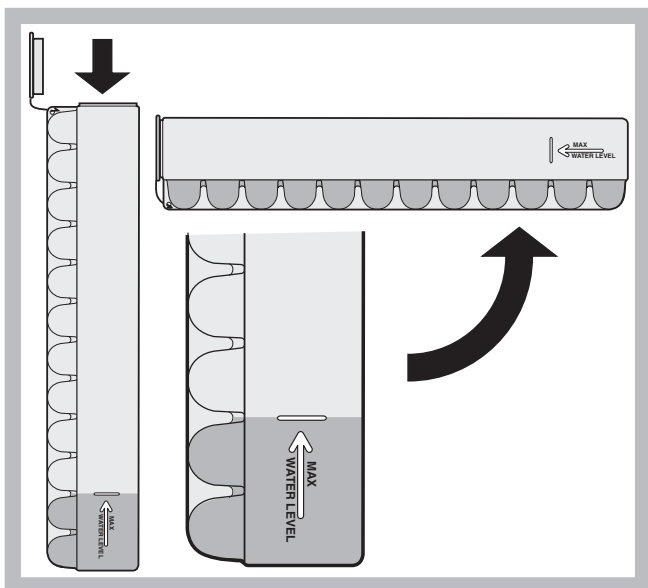
V uvedených dvou případech rozsvícení kontrolky nepoukazuje na vadu nebo poruchu mrazničky

#### Miska na led Ice<sup>3\*</sup>

Skutečnost, že je umístěna na horní straně zásuvek uložených v mrazicím prostoru, zajišťuje větší čistotu (led se tak již nedostává do styku s potravinami) a ergonomii (při plnění neodkapává).

1. Svytáhněte misku jejím zatlačením směrem nahoru. Zkontrolujte, zda je miska zcela prázdná, a naplňte ji vodou prostřednictvím příslušného otvoru.
2. Dbejte přitom, aby nedošlo k překročení vyznačené úrovně (MAX WATER LEVEL). Příliš velké množství vody brání uvolňování kousků ledu (když se tak stane, vyčkejte na rozpuštění ledu a vyprázdněte misku).
3. Otočte misku o 90°: voda naplní formy na základě principu spojených nádob (viz obrázek).

- Zavřete otvor víkem z dotace a uložte misku tak, že nejdříve zasunete její horní část do příslušného uložení a následně ji necháte klesnout dolů.
- Po vytvoření ledu (minimální potřebná doba je 8 hodin) udeřte miskou o tvrdou plochu a namočte její vnější část za účelem oddělení kousků ledu; vyprázdněte je otvorem.



## Údržba a péče

### Vypnutí přívodu elektrického proudu

Během čištění a údržby je třeba odizolovat zařízení od napájecího přívodu odpojením zástrčky ze zásuvky.

- Nastavte otočný knoflík REŽIMU ČINNOSTI MRAZNIČKY do polohy ●;
- odpojte zástrčku ze zásuvky.

### Vyčištění zařízení

- Vnější a vnitřní části i pryžová těsnění je možné čistit houbou navlhčenou ve vlažné vodě a bikarbonátu sodném nebo neutrálním mýdle. Nepoužívejte rozpouštědla, abrazivní prostředky, bělidlo ani amoniak.
- Vyjímatelné příslušenství může být namočeno v teplé vodě s mýdlem nebo čisticím prostředkem na nádobí. Opláchněte je a důkladně osušte.
- Zadní strana zařízení má tendenci pokrýt se prachem, který je možné po vypnutí zařízení a po odpojení zástrčky ze zásuvky elektrického rozvodu opatrně odstranit, a to dlouhým nástavcem vysavače, nastaveného na střední výkon.

### Zabránění tvorbě plísní a nepříjemných zápachů

- Zařízení bylo vyrobeno z hygienicky nezávadných materiálů, které nepřenášejí zápachy. Za účelem zachování této vlastnosti je třeba, aby byla jídla neustále chráněna a řádně uzavřena. Zabráni se tak tvorbě skvrn.
- V případě předpokládané dlouhodobé nečinnosti zařízení vyčistěte jeho vnitřek a nechte otevřená dvířka.

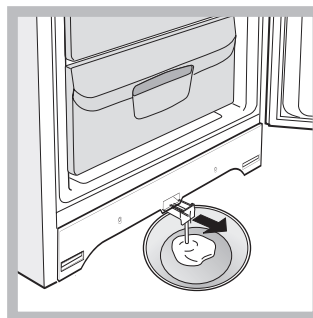
### Odstranění námrazy ze zařízení

! Dodržujte níže uvedené pokyny.

Nepokoušejte se o urychlení celého procesu s použitím jiných zařízení nebo nástrojů než škrabky z dotace (je součástí pouze některých modelů), protože by mohlo dojít k poškození chladicího rozvodu.

\* Liší se v počtu a/nebo dle polohy. Je součástí pouze některých modelů.

- Po uplynutí 24 hodin přetočte otočný knoflík REGULACE TEPLoty do polohy ●.
- Zabalte mražené i zmražené potraviny do listů papíru a uložte je na chladné místo.
- Nechte pootevřená dvířka až do úplného rozpuštění námrazy; urychlete operaci umístěním nádob s vlažnou vodou do mrazicího prostoru.
- Některá zařízení jsou vybavena DRENÁŽNÍM SYSTÉMEM sloužícím k odvádění vody směrem ven (viz obrázek).



- Před opětovným zapnutím zařízení důkladně vyčistěte a osušte mrazicí prostor.
- Před vložením jídel do mrazničky vyčkejte přibližně 2 hodiny, aby se obnovily ideální podmínky pro konzervaci.

Když je vrstva námrazy vyšší než 5 mm, je třeba provést její manuální odstranění:

## Opatření a rady

! Toto zařízení bylo navrženo a vyrobeno ve shodě s mezinárodními bezpečnostními předpisy. Tato upozornění jsou uváděna z bezpečnostních důvodů a musí být pozorně přečtena.



Tento spotřebič je ve shodě s následujícími směrnicemi Evropské unie:

- 72/23/EHS z 19/02/73 (Nízké napětí) ve znění pozdějších předpisů;
- 89/336/EHS z 03/05/89 (Elektromagnetická kompatibilita) ve znění pozdějších předpisů;
- 2002/96/CE.

### Základní bezpečnostní opatření

- Zařízení bylo navrženo pro neprofesionální použití v domácnosti.
- Zařízení musí být používáno k uložení a ke zmrazování jídel, pouze dospělými osobami, dle pokynů uvedených v tomto návodu.
- Zařízení nesmí být nainstalováno na otevřeném prostoru, a to ani v případě, jedná-li se o prostor krytý přístřeškem; jeho vystavení dešti a bouřkám je velice nebezpečné.
- Nedotýkejte se zařízení bosýma nohama nebo mokřými rukama či nohama.
- Nedotýkejte se vnitřních chladicích součástí: existuje nebezpečí popálení nebo poranění.
- Neodpojujte zástrčku ze zásuvky elektrického rozvodu potáhnutím za kabel, ale řádným uchopením zástrčky.
- Před zahájením čištění a údržby je třeba odpojit zástrčku ze zásuvky elektrického rozvodu. K odstranění nebezpečí zásahu elektrickým proudem nestačí nastavit otočný knoflík REGULACE TEPLoty do polohy ● (vypnuté zařízení).
- Při výskytu závady v žádném případě nezasahujte do vnitřních mechanismů ve snaze ji odstranit.
- Uvnitř jednotlivých prostor určených ke konzervaci

mražených potravin nepoužívejte ostré a zahrocené předměty ani elektrická zařízení, která nejsou doporučena výrobcem.

- Nevkládejte si do úst kostky ledu, které byly právě vytaženy z mrazničky.
- Toto zařízení se považuje za nevhodné pro použití ze strany osob (včetně dětí) se sníženými fyzickými, sensorickými nebo duševními schopnostmi nebo osob bez zkušeností a znalostí, s výjimkou případu, kdy jsou pod dohledem osoby zodpovědné za jejich bezpečnost ohledně použití zařízení. Děti by měly být neustále pod dohledem, aby se zajistilo, že si nehrají se zařízením.
- Obaly nejsou hračkami pro děti.

## Likvidace

- Likvidace obalového materiálu: dodržujte místní předpisy za účelem opětovného využití obalů.
- Evropská směrnice 2002/96/EC o odpadních elektrických a elektronických zařízeních stanovuje, že staré domácí elektrické spotřebiče nesmí být odkládány do běžného netříděného domovního odpadu. Staré spotřebiče musí být odevzdány do odděleného sběru, a to za účelem recyklace a optimálního využití materiálů, které obsahují, a z důvodu předcházení negativním dopadům na lidské zdraví a životní prostředí. Symbol "přeškrtnuté popelnice" na výrobku vás upozorňuje na povinnost odevzdat zařízení po skončení jeho životnosti do odděleného sběru. Spotřebitelé by měli kontaktovat příslušné místní úřady nebo svého prodejce ohledně informací týkajících se správné likvidace starého zařízení.

## Úspora energií a ochrana životního prostředí

- Nainstalujte zařízení do chladného a dobře větraného prostředí, nevystavujte jej působení přímého slunečního světla a neumísťujte jej do blízkosti zdrojů tepla.
- Při vkládání a vyjímání potravin udržujte dvířka co nejméně otevřená. Každé otevření dvířek způsobuje výrazný únik energie.
- Nenaplňujte zařízení nadměrným množstvím potravin: dobrá konzervace je podmíněna volným pohybem chladu. Když se zabrání cirkulaci, kompresor bude pracovat nepřetržitě.
- Nevkládejte ještě teplá jídla: zvýšila by vnitřní teplotu a přinutila kompresor k nadměrnému výkonu, provázenému plýtváním elektrickou energií.
- V případě vytvoření námrazy odmrázte zařízení (viz Údržba); vrstva ledu o velké tloušťce způsobuje obtížné odevzdávání chladu potravinám a zvyšuje spotřebu energie.
- Udržujte těsnění ve funkčním stavu a v čistotě, aby řádně doléhala na dvířka a neumožňovala únik chladu (viz Údržba).

## Závady a způsob jejich odstranění

Může se stát, že zařízení nebude fungovat. Dříve, než se obrátíte na Servisní službu (viz Servisní služba), s pomocí následujícího seznamu zkontrolujte, zda se nejedná o snadno odstranitelný problém.

### Nedochází k rozsvícení zelené kontrolky NAPÁJENÍ.

- Zástrčka není zastrčena do zásuvky elektrického rozvodu nebo řádně nedoléhá nebo byla přerušena dodávka elektrického proudu v celém bytě/domě.

### Kontrolka ALARMU zůstane rozsvícena, když

- Nejsou správně zavřena dvířka nebo se nepřetržitě otevírají.
- Se dvířka příliš často otevírají.
- Se otočný knoflík REGULACE TEPLoty nenachází ve správné poloze;

### Motor zůstává v chodu bez přerušení.

- Dvířka nejsou správně zavřena nebo jsou otevírána příliš často.
- Teplota vnějšího prostředí je příliš vysoká.
- Tloušťka námrazy přesahuje 2-3 mm (viz Údržba).

### Zařízení vydává nadměrný hluk.

- Zařízení nebylo řádně uvedeno do vodorovné polohy (viz Instalace).
- Zařízení bylo nainstalováno mezi kusy nábytku nebo předměty, které vibrují a vydávají hluk.
- Chladicí plyn uvnitř zařízení produkuje lehký hluk i při zastaveném kompresoru: nejedná se o závadu, ale o zcela běžný jev.

## Инсталиране

! Важно е да пазите тази книжка, за да можете във всеки един момент да направите справка с нея. В случай, че продадете или преотстъпите уреда или се преместите да живеете на друго място, уверете се, че тя върви в комплект с него, за да може новият собственик да е информиран за функционирането му и съответните препоръки.

! Прочетете внимателно инструкциите: те ще ви дадат важна информация относно инсталирането, употребата и безопасността на уреда.

### Позициониране и свързване

#### Позициониране

1. Поставете уреда в добре проветриво и сухо помещение.
2. Не запущвайте задните вентилационни решетки: компресорът и кондензаторът излъчват топлина и изискват добро проветряване, за да функционират добре, ограничавайки потреблението на електроенергия.
3. Оставете разстояние най-малко 10 см между горната част на уреда и евентуални мебели, разположени над него, и най-малко 5 см между страничните му части и съседни мебели/стени.
4. Дръжте уреда далеч от източници на топлина (пряка слънчева светлина, електрическа готварска печка).
5. За да поддържате оптимално отстояние на уреда от стената зад него, монтирайте раздалечителите, включени в инсталационния комплект, като следвате инструкциите в диплянката.

#### Нивелиране

1. Инсталирайте уреда върху равен и твърд под.
2. Ако подът не е напълно хоризонтален, компенсирате, завивайки или развивайки предните крачета.

#### Свързване към електрическата мрежа

След транспортирането, позиционирайте вертикално уреда и изчакайте най-малко 3 часа преди да го свържете с електрическата инсталация. Преди да вкарате щепсела в електрическия контакт, се уверете, че:

- контактът е снабден със заземяване и отговаря на изискванията;
  - контактът е в състояние да понесе максималното силово натоварване на уреда, указано на табелката с характеристиките, разположена в хладилното отделение долу вляво (напр. 150 W);
  - напрежението на захранването е в рамките на стойностите, указани на табелката с характеристиките, разположена долу вляво (напр. 220-240 V);
  - контактът е съвместим с щепсела на уреда.
- В противен случай поискайте смяната на щепсела от оторизиран техник (виж Сервизно обслужване); не използвайте удължители и разклонители.

! При инсталиран уред електрическият кабел и контактът трябва да бъдат лесно достъпни.

! Кабелът не бива да бъде прегъван или притискан.

! Кабелът трябва да бъде проверяван периодично и подменян само от оторизирани техници (виж Сервизно обслужване).

**! Производителят не носи никаква отговорност в случай на неспазване на тези правила.**

\* Различаващи се по номер и/или разположение, Налице само при някои модели.

## Включване и употреба

### Включване на уреда

**! Преди да включите уреда за пръв път, изпълнете инструкциите за инсталиране (вижте „Инсталиране“).**

**! Преди да включите уреда за първи път, почистете отделенията и аксесоарите добре с хладка вода и бикарбонат.**

1. Включете уреда в контакта и се уверете, че червеният индикатор АЛАРМА и зеления индикатор ЗАХРАНВАНЕ светят (бутонът за РЕГУЛИРАНЕ НА ТЕМПЕРАТУРАТА не трябва да е в позиция ●).
2. Когато светлината на червения индикатор угасне, завъртете бутона за РЕГУЛИРАНЕ НА ТЕМПЕРАТУРАТА в средна позиция. Фризерът е готов за употреба.

### Използване на пълния потенциал на фризера

- Използвайте бутона за ЕКСПЛОАТАЦИЯ НА ФРИЗЕРА, за да регулирате температурата (вижте „Описание“).
- Не замразявайте повторно храна, която се размразява или вече е размразена. Тези храни трябва да се сготвят и изядат (в рамките на 24 часа).
- Пресни храни, които трябва да се замразят, не трябва да влизат в контакт с храни, които вече са размразени. Пресните храни трябва да се съхраняват в горните отделения ФРИЗЕР или СЪХРАНЕНИЕ, където температурата пада под  $-18^{\circ}\text{C}$  и се гарантира бързо замразяване.
- Не поставяйте затворени с тапа или херметически запечатани стъклени бутилки, съдържащи течности, във фризера, тъй като могат да се счупят.
- Максималното количество храна, което може да се замразява на ден, е показано на информационната табелка, която се намира от вътрешната страна на фризера (например: 4 кг на 24 часа). За да се получи по-голямо пространство в отделенията на фризера, можете да премахнете кошниците (с изключение на най-долната) и да поставяте храната директно върху плочите на изпарителя.

! Не отваряйте врата по време на замразяване.

! Ако има прекъсване на захранването или повреда, не отваряйте вратата на фризера. Това ще спомогне за поддържане на температурата във фризера, което ще осигури запазване на храната за поне 9 – 14 часа.

! Предупредителният индикатор светва. Когато тази червена предупредителна светлина свети продължително време, това означава, че фризера не функционира правилно и температурата се качва прекалено много. (Обадете се на сервизния център).

Тази предупредителна светлина може да светне за кратко, когато:

- a) вратата е оставена отворена за продължителен период от време (когато фризера е зареден или не е зареден).

В тези два случая светването на предупредителната светлина не означава, че фризерът е повреден или има дефект.

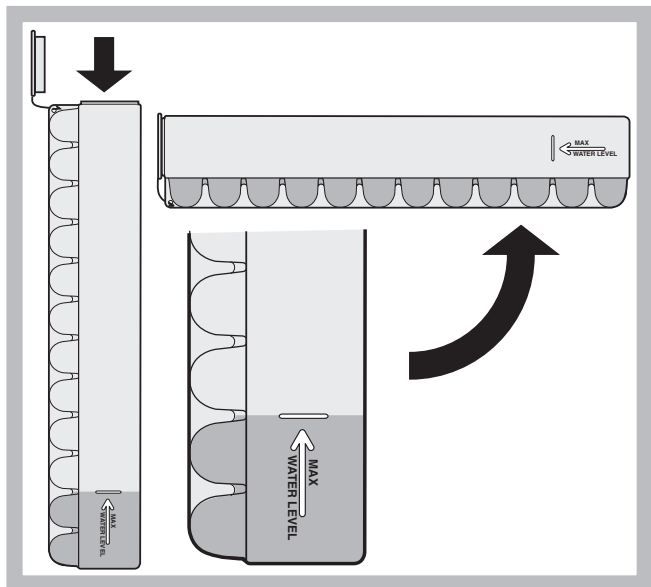
### Форми за лед Ice<sup>3\*</sup>:

Това, че формата за лед е разположена в горната част на чекмеджетата във фризера, гарантира по-голяма хигиена (така ледът вече не е в допир с хранителните продукти) и ергономичност (при зареждането не падат капки).

1. Извадете контейнера, като го натискате нагоре. Проверете дали контейнерът е напълно празен и го напълнете с вода през специалния отвор.



- Внимавайте да не надвишите посоченото ниво (MAX WATER LEVEL – МАКСИМАЛНО НИВО НА ВОДАТА). Наличието на прекалено много вода пречи на излизането на кубчетата (ако това се случи, изчакайте ледът да се разтопи и изпразните контейнера).
- Завъртете контейнера на 90°: на принципа на скачените съдове водата ще напълни формите (*виж фигурата*).
- Затворете отвора със специалното капаче и върнете контейнера обратно, вкарвайки горната му част на специалното място и оставяйки го да слезе надолу.
- Когато ледът е готов (минимален срок около 8 часа), ударете контейнера в някаква твърда повърхност и го намокрете отвън, така че кубчетата лед да се отделят; след това ги извадете през отвора.



## Поддръжка и грижи

### Изключване на уреда

При почистване и поддръжка е необходимо уреда да се изключи от електрозахранването:

- поставете бутона за КОНТРОЛ НА ТЕМПЕРАТУРАТА в позиция ●
- изтеглете щепсела от контакта

### Почистване на уреда

- Външните и вътрешните части и уплътненията от гума могат да се почистват с гъбичка, напоена с хладка вода и сода бикарбонат или неутрален сапун. Не използвайте разтворители, абразивни материали, избелващи препарати или амоняк.
- Вадещите се аксесоари могат да бъдат накиснати в топла вода и сапун или препарат за миене на съдове. Изплакнете ги и грижливо ги подсушете.
- Гърбът на уреда е склонен да се покрива с прах, която може да бъде отстранена, след като сте изключили уреда и сте извадили щепсела от контакта, използвайки деликатно дългия накрайник на прахосмукачката, настроена на средна мощност.

### Как да избегнете образуването на мухъл и неприятни миризми

- Уредът е произведен от хигиенични материали, които не предават миризмите. За да запазите тази негова характеристика, е необходимо храните винаги да бъдат добре завити и затворени. Така ще предотвратите и образуването на петна.

- В случай, че искате да изключите уреда за продължителен период от време, почистете вътрешността му и оставете вратите отворени.

## Размразяване на уреда

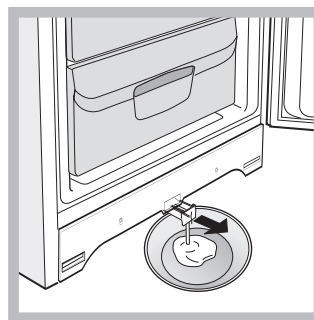
### Размразяване на уреда

! Следвайте долуизложените указания.

Не ускорявайте процеса с устройства или инструменти различни от шпатулата (Налице само при някои модели) , предоставена в комплект с уреда, защото бихте могли да увредите охладителната система.

Ако слойт скреж е по-голям от 5 мм, необходимо е ръчно да размразите уреда:

- След 24 часа поставете бутона за КОНТРОЛ НА ТЕМПЕРАТУРАТА в позиция ●, което ще изключи хладилника.
- Увийте замразената храна във вестници и я поставете в друг фризер или на хладно място.
- Оставете вратата отворена, докато скрежа се размрази напълно. Това може да се улесни, като се поставят съдове с хладка вода в отделението на фризера.
- Някои уреди са оборудвани със СИСТЕМА ЗА ИЗТОЧВАНЕ за отвеждане на водата от уреда: оставете водата да изтече в съд (вижте диаграмата).



- Почистете и подсушете внимателно отделението на фризера, преди да включите уреда отново.
- Изчакайте около 2 часа, т.е. до възстановяване на идеалните условия за съхранение, преди да поставите храна в отделението на фризера.

## Предпазни мерки и съвети

! Уредът е проектиран и конструиран в съответствие с международните норми за безопасност. Тези препоръки се дават за целите на безопасността и трябва да бъдат прочетени внимателно.



Този уред е съобразен със следните Директиви на Европейската общност:

- Нисковолтова директива 73/23/ЕИО от 19/02/73 и последващи изменения;
- Директива за електромагнитната съвместимост 89/336/ЕИО от 03/05/89 и последващи изменения;
- 2002/96/CE.

### Обща безопасност

- Уредът е създаден за непрофесионална употреба в домашна обстановка.
- Уредът трябва да бъде използван за съхраняването и замразяването на храни, само от възрастни лица и в съответствие с инструкциите, съдържащи се в тази книжка.

- Този уред не бива да се инсталира на открито, дори ако мястото е заслонено; излагането му на дъжд и бури е много опасно.
- Не пипайте уреда с мокри или влажни ръце или крака, или когато сте боси.
- Не пипайте вътрешните охлаждащи части: има опасност да се изгорите или нараните.
- Не изваждайте щепсела от електрическия контакт, дърпайки кабела, а хващайки него самия.
- Необходимо е, преди почистване и дейности по поддръжката, да изваждате щепсела от контакта. Не е достатъчно да поставите програматора за РЕГУЛИРАНЕ НА ТЕМПЕРАТУРАТА на позиция ● (изключен уред), за да елиминирате напълно подаването на електричество.
- При повреда в никакъв случай не се опитвайте да поправите уреда, достигайки до вътрешните механизми.
- Не използвайте остри и режещи прибори или електроуреди вътре в отделението за съхранение на замразени хранителни продукти, ако същите не са от вида, препоръчан от производителя.
- Не слагайте в устата си кубчета лед, току-що извадени от фризера.
- Този уред не е предназначен за употреба от лица (включително деца) с ограничени физически, сетивни или умствени способности, или без опит и познания, освен в случаите, когато са наблюдавани или обучени за ползване на уреда от лице, носещо отговорност за тяхната безопасност. Децата трябва да бъдат наблюдавани, за да не си играят с уреда.
- Опаковките не са играчки за деца.

## Изхвърляне

- Изхвърляне на амбалажния материал: спазвайте местните норми, така амбалажът може да бъде използван повторно.
- Изхвърляне на стария уред: СПАЗВАЙТЕ ЗАКОНОДАТЕЛСТВОТО В ТАЗИ ОБЛАСТ.  
Хладилниците и фризерите съдържат в охладителната си система и изолацията газ изобутан и циклопентан, които, ако попаднат в околната среда, могат да бъдат опасни за нея. СЛЕДОВАТЕЛНО ИЗБЯГВАЙТЕ УВРЕЖДАНЕТО НА ТВЪРДИТЕ ТРЪБОПРОВОДИ.
- Преди да изхвърлите стария уред за старо желязо, направете го неизползваем, отрязвайки кабела на електрическото захранване и отстранявайки устройствата за затваряне на вратите.

## Как да пестите, опазвайки околната среда

- Инсталирайте уреда на прохладно и добре проветриво място, предпазвайте го от пряко излагане на слънчевите лъчи, не го поставяйте в близост до източници на топлина.
- За да поставяте и изваждате храните, отваряйте вратите на уреда за възможно най-кратко време.  
Всяко отваряне на вратите води до значителен разход на електроенергия.
- Не препълвайте уреда с прекалено много хранителни продукти: за доброто им съхранение, студът трябва да може да циркулира свободно. Ако циркулацията е възпрепятствана, компресорът ще работи непрекъснато.
- Не поставяйте в уреда топли храни: те биха повишили вътрешната температура, принуждавайки компресора да работи усилено, изразходвайки много електроенергия.
- Размразявайте уреда в случай, че се образува лед (виж *Поддръжка*); дебел слой лед прави по-трудно изстудяването на хранителните продукти и повишава потреблението на електроенергия.
- Поддържайте уплътненията в изправност и чисти, така че да прилепват добре към вратите и да не оставят студа да излиза (виж *Поддръжка*).

## Аномалии и решения

Може да се случи така, че уредът да не работи. Преди да се обадите в центъра за сервизно обслужване (*виж Сервизно обслужване*), проверете дали не става въпрос за проблем, който лесно може да бъде разрешен с помощта на следния списък.

### Зеленият индикатор на ЗАХРАНВАНЕТО не светва.

- Щепселът не е включен в електрически контакт или не е достатъчно далече, за да направи контакт или няма захранване в жилището.

### Индикаторът за ПРЕДУПРЕЖДЕНИЕ свети постоянно.

- Вратата не е добре затворена или е била отворена продължително време.
- Вратата е била отваряна твърде често.
- Бутонът за КОНТРОЛ НА ТЕМПЕРАТУРАТА не е поставен в правилната позиция.

### Електродвигателят работи непрекъснато.

- Вратата не е добре затворена или е отворена продължително време.
- Външната околна температура е много висока.
- Дебелината на скрежа надхвърля 2-3 мм (вижте „Поддръжка“).

### Уредът е много шумен.

- Уредът не е поставен на равна повърхност (вижте „Инсталиране“).
- Уредът е поставен между шкафове, които вибрират и вдигат шум.
- Вътрешният охладител издава слаб шум, дори когато компресорът е изключен. Това не е дефект, нормално е.



