

# 2500491



Please read all instructions carefully before use and retain for future reference.



**CAUTION** Do not immerse in water.



**CAUTION** hot surfaces



Do not cover.



**PRODUCT DISPOSAL INFORMATION** For electrical products sold within the European Community, at the end of the electrical product's useful life, it should not be disposed of with household waste. Please recycle where facilities exist. Contact your local authority for details of collection schemes in your area.

In all circumstances:  
Do not dispose of in domestic waste.  
Do not incinerate.  
Do not abandon in the environment.  
Do not dispose of WEEE as unsorted municipal waste.

## EN

Please read all instructions carefully before use and retain for future reference.

**INTENDED USE** Only operate the appliance for its intended purpose and within the parameters specified in this manual.

This appliance is for domestic use only. Do not use outdoors or on wet surfaces.

This appliance is not intended for use by persons with reduced physical, sensory or mental capabilities, or lack of experience and knowledge, unless supervised or given appropriate instruction concerning the product's use by a person responsible for their safety.

The appliance is not intended to be operated by means of an external timer or separate remote-control system.

**GENERAL SAFETY** Do not allow to be used as a toy. Children should be supervised to ensure they do not play with the appliance.

If the appliance is not functioning properly, has been dropped, damaged, left outdoors, or immersed in liquid, do not use, contact DOMU Brands Customer Services. Do not use the appliance if any parts appear to be faulty, missing or damaged.

Ensure all parts are securely attached as instructed by this instruction manual before use.

**CABLES AND PLUGS** Check to ensure your electricity supply matches that shown on the rating plate. This product should only be used as rated. Preferably, the socket outlet should be protected by a Residual Current Device RCD (UK/EU) Ground Fault Indicator (US).

Do not use with a damaged cable or plug. If the supply cable is damaged, it must be replaced by a qualified engineer or authorised service agent in order to avoid a hazard. The use of an extension cable is not recommended.

Do not handle the plug or appliance with wet hands. Keep the cable away from heated surfaces.

Do not let the cable hang over the edge of the table or countertop where it could be pulled on inadvertently by children or pets.

Do not pull the cable around sharp edges or corners. Do not leave unattended when plugged in. Unplug from outlet when not in use.

Turn off all controls before unplugging.

Do not unplug by pulling on the cable. To unplug, grasp the plug, not the cable.

Always unplug before performing user maintenance, connecting or disconnecting attachments, or changing accessories.

Ensure the cable is stored safely to prevent hazards.

**RISK OF PERSONAL INJURY** Always locate your appliance away from the edge of the worktop, on a firm, flat, heat-resistant surface with sufficient space around all sides. Do not insert any objects into openings or cover the appliance.

Do not place any cardboard, plastics or paper inside or on the appliance unless stated in the instructions. Do not use the appliance near any combustible

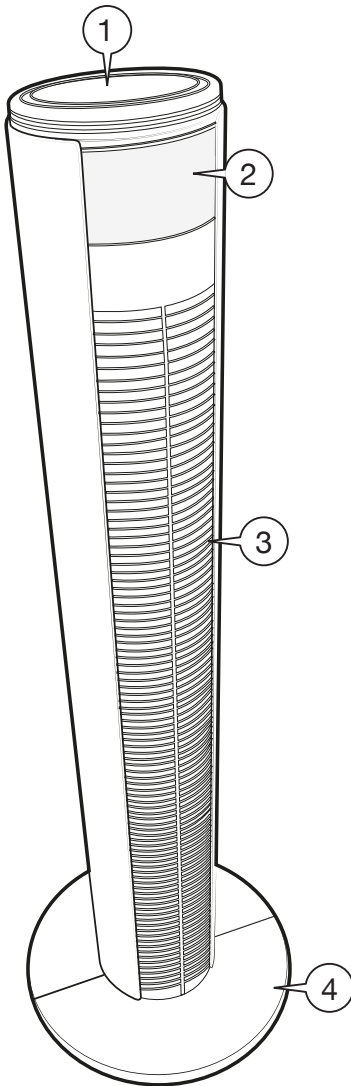
surfaces. Only use suitable cookware where applicable.  
Do not use outdoors or near heat sources.  
Take care not to touch any surfaces that may get hot when in use. Take care not to touch any surfaces that may remain hot for a period of time after use.  
Never operate the appliance when empty.  
Do not overload/overfill the appliance.  
When using for the first time your appliance may give off a 'new' smell or vapour. This will dissipate after a few uses. Do not lift or move the appliance whilst in use.  
Do not operate continuously for periods longer than those marked on the product or indicated in the instructions.  
Ensure the appliance is switched off and unplugged before changing accessories or cleaning.  
Use only as described in this manual and with DOMU Brands recommended attachments only.

#### **TECHNICAL SPECIFICATION**

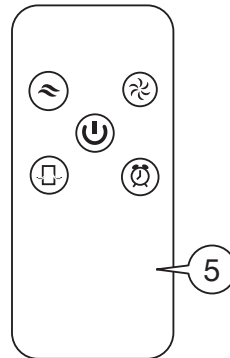
Rated Voltage 220V-240V  
Rated Power 60W  
Rated Frequency 50Hz

## COMPONENTS

---

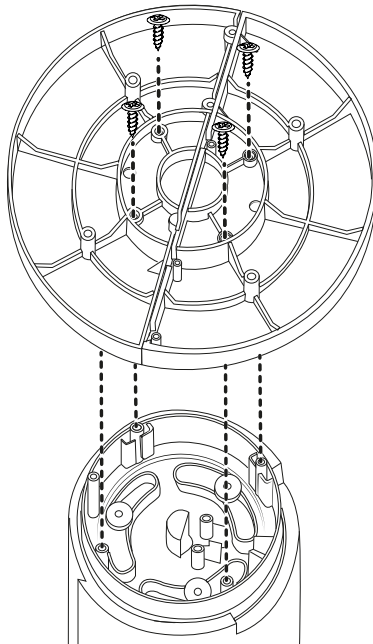
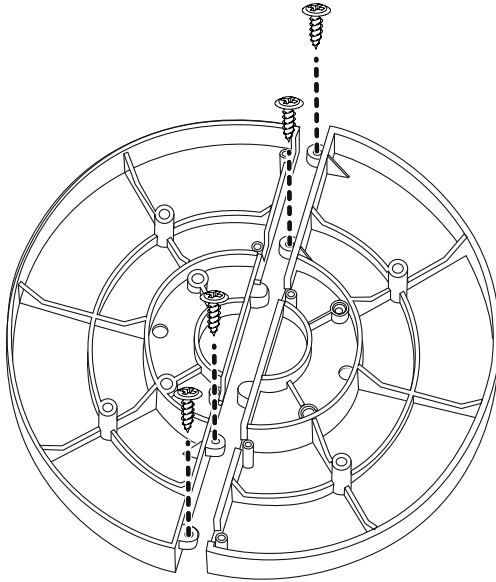


1. Control Panel
2. LCD Display
3. Air Outlet
4. Base
5. Remote Control
6. Screws x8 (not shown)

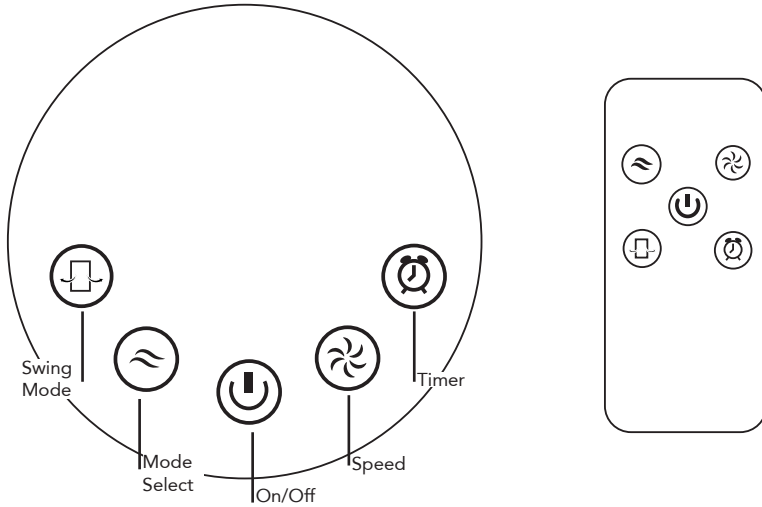


ASSEMBLY

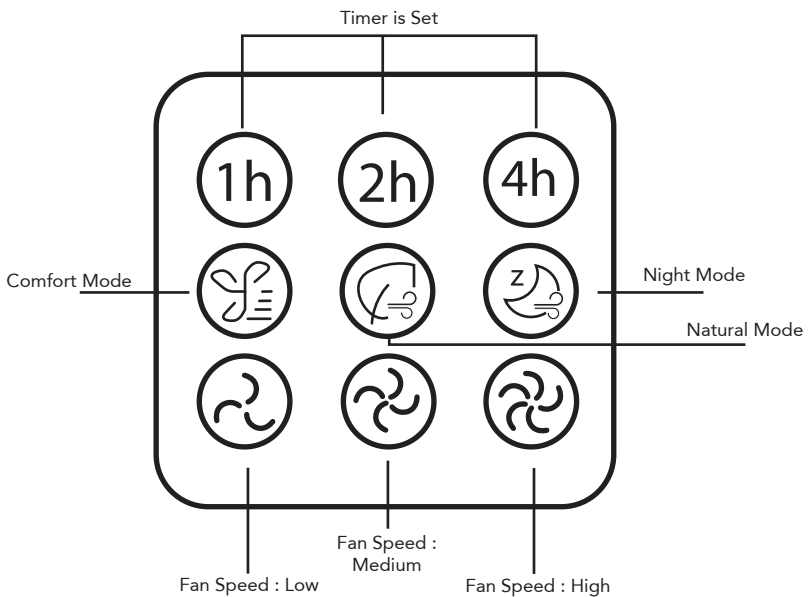
---



# CONTROLS




# DIGITAL DISPLAY






Press once to activate the fan, it will default into Medium Mode / Low Speed . The room temperature will be displayed.




**Comfort Mode**  This mode has three types of air cycles: Low, Med, High.

**Natural (intermittent) Mode**  With the Fan speed set to low it will cycle on off every **5 seconds**.

Fan Speed Medium the fan speed will cycle through every **5 seconds** to Medium, Low, Medium, Stop, Low Medium, Low, stop.

Fan Speed set to High it will spend **5 seconds** each at Medium, Low, High, Medium, High, Low, High, Stop and repeat.

**Night Mode**  - The fan speed gradually decreases every **30mins**.

Fan Speed Low: The fan will run the same as in Low Nature Mode.

Fan Speed Medium: The fan will operate in Medium Nature Mode the switch to low.

Fan Speed High: The fan will operate for **30mins** in High, **30mins** in Medium then switch to Low.



Turns Oscillation On / Off



• **Speed Selection**, cycles through 3 levels,



Low



Med



High



This button allows you to enter the 'timer mode'. Press to increase the number of hours (1,2 to 7 ) you wish the fan to remain operational.



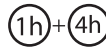
The fan will operate for 1 Hour.



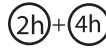
The fan will operate for 2 Hours.



The fan will operate for 4 Hours.



The fan will operate for 5 Hours.



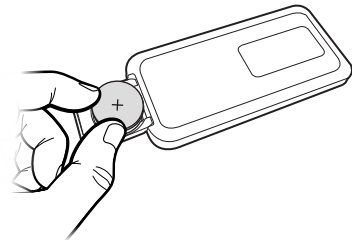
The fan will operate for 6 Hours.



The fan will operate for 7 Hours.

## REPLACING THE BATTERY

To remove the battery compartment, squeeze the small black tab and pull. Insert 1 x CR2025 (3V) battery into the small crevice as illustrated.





## EN

**DISPOSAL INFORMATION** Please recycle where facilities exist. Check with your local authority for recycling advice.

**CUSTOMER SERVICE** If you are having difficulty using this product and require support, please contact [support@domu.co.uk](mailto:support@domu.co.uk)

**WARRANTY** To register your product and find out if you qualify for a free extended warranty please go to [www.vonhaus.com/warranty](http://www.vonhaus.com/warranty).

Please retain a proof of purchase receipt or statement as proof of the purchase date. The warranty only applies if the product is used solely in the manner indicated in the warnings page of this manual, and all other instructions have been followed accurately. Any abuse of the product or the manner in which it is used will invalidate the warranty. Returned goods will not be accepted unless re-packaged in its original packaging and accompanied by a relevant and completed returns form. This does not affect your statutory rights. No rights are given under this warranty to a person acquiring the appliance second-hand or for commercial or communal use.

**COPYRIGHT** All material in this instruction manual are copyrighted by DOMU Brands. Any unauthorised use may violate worldwide copyright, trademark, and other laws.

# THANK YOU

Thank you for purchasing your product/appliance.  
Should you require further assistance with your  
purchase, you can contact us at  
**support@domu.co.uk**

VonHaus is a registered trademark of DOMU Brands Ltd.  
Made in China for DOMU Brands. M24 2RW.