

LAMONA

60cm Chimney Extractor

LAM2410 Stainless Steel
LAM2411 Back



Instructions and Installation

Register 
my appliance

www.howdens.com/appliances-registration



**Free 3 year
guarantee**

Call now¹

0333 010 0009

Alternatively, visit www.howdens.com/appliance-registration

LAMONA

**3 year guarantee available.
Register your appliance within 90 days²**

By registering your appliance and creating an account, we will keep you up to date with the latest product information and notify you immediately of any important product updates

¹Lines are open Monday to Friday 9am to 5pm. Calls will be charged at your local rate and may be recorded and monitored for training and quality purposes.

²So that in the event of an important product update, or recall, we can contact you.

Register 
my appliance

Dear Customer,

Congratulations on your choice of a LAMONA domestic appliance.

The user manual will help you use your product quickly and safely.

- Please read this user manual before installing and using the product.
- Always follow the safety instructions.
- Keep this user manual within easy reach for future reference.
- Please read any other documents supplied with the product.

Explanation of symbols

Throughout this user manual the following symbols are used:



Important information or useful tips about usage.



Warning for possible hazards to health and property.



Warning possibility of electric shock.

Metal Surfaces of the Extractor and Condensation


When using cooking with pans using a large water content, large quantities of vapour and steam can be produced very quickly. This steam may condense onto the cold metallic surfaces of the extractor and even the splash back area if tiled, glazed etc.

(This is not a fault with either the hob or extractor if correctly installed.)

The amount of this condensation on any particular surface will depend on many factors including the ambient temperature in the kitchen, the related ambient temperature of the metal surfaces, the general ventilation within the kitchen, the type of food being cooked and the duration. Using lids on pans can help reduce the amount of steam being released and subsequent condensation.



This product's packaging material is recyclable. Help recycle it and protect the environment by dropping it off in the municipal receptacles provided for this purpose. Your product also contains a great amount of recyclable material. It is marked with this label to indicate the used appliances that should not be mixed with other waste. This way, the appliance recycling organised by your manufacturer will be done under the best possible conditions, in compliance with European Directive 2012/19/EU on Waste Electrical and Electronic Equipment. Contact your town hall or your retailer for the used appliance collection points closest to your home. We thank you doing your part to protect the environment.

By placing the  marking on this product, we declare, on our own responsibility, compliance to all of European safety, health and environmental requirements stated in the legislation for this product.


Index

Before Using The Extractor	04
Safety	04
General	04
Safety for children	04
Safety when working with electricity	04
General Information and Operation	05
Extractor layout	05
Control panel layout	05
Care and maintenance	06
General cleaning	06
Grease filters	06
Carbon filters	07
Replacing the lamps	07
Installation	08
Methods of extraction	08
Extraction via ducting	08
Extraction via recirculation	08
Parts identification	09
Hanging your extractor	10
Decorative chimney fitting	11
Electrical connections	12
Troubleshooting	13
Technical Specification	13
Your Guarantee	14

Before Using the Extractor

- Make sure that you have removed all packaging, wrappings, stickers and films from the Extractor
- It is recommended that you clean the extractor's surface before using for the first time.

Safety

 This appliance is for domestic extraction purposes only. It must not be used for other purposes. Commercial use will void the guarantee.

The manufacturer shall not be liable for any damage caused by improper use, installation or handling errors

General

This product is not intended to be used by persons with physical, sensory or mental disorders or unlearned or inexperienced people (including children) unless they are supervised by a person who will be responsible for their safety or who will instruct them accordingly in the use of the product.

- Do not operate the product if the power cable is damaged. Call qualified service agent.
- Do not carry out any repairs or modifications on the product. However, you may remedy some the problems that do not require any repairs or modifications. See Troubleshooting, at the rear of this manual.
- Never wash down the product with excessive water, as there is the risk of electric shock!
- Never use the product when your judgment or coordination is impaired by the use of alcohol and/or drugs.
- Product must be disconnected from the mains during installation, maintenance, cleaning and repair procedures.
- Repair procedures must always be performed by qualified service agents. The manufacturer shall not be held responsible for damages arising from procedures carried out by unauthorised persons, which may also void the guarantee.
- DO NOT flambè under the extractor.

- Keep all ventilation slots clear of obstructions, as this may cause premature failure of the appliance
- Do not trap the mains cable and do not route it over surfaces which may become hot. The cable insulation may melt and cause a fire as a result of a short circuit.
- Make sure that the product function buttons are switched off after every use.
- Product must be installed by a qualified person in accordance with the regulations in force otherwise, the guarantee may become void.

Safety for children

Electrical products can be dangerous to children. Keep children away from the product when it is operating and do not allow them to play with or near the product.

The packaging materials will be dangerous for children. Keep the packaging materials away from children. Please dispose of all parts of the packaging according to environmental standards.

Safety when working with electricity

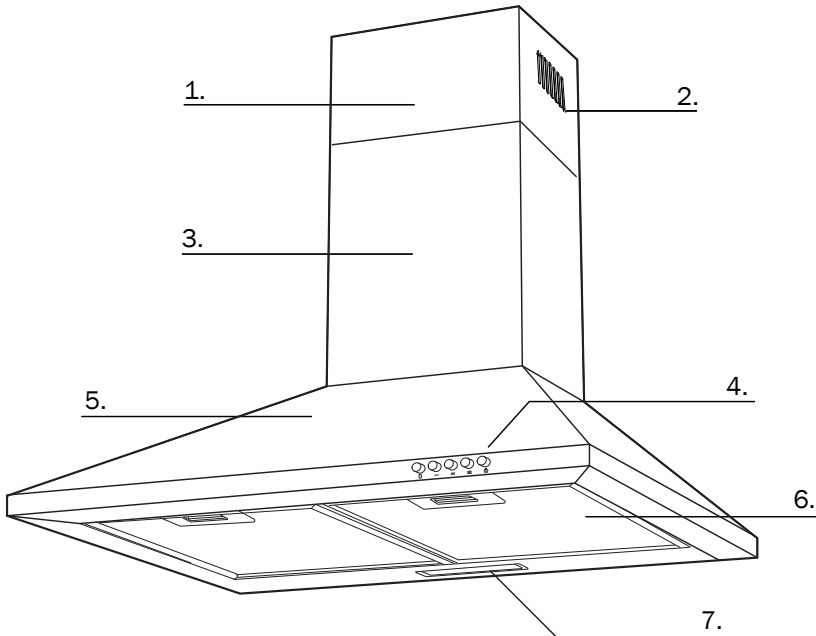
In case of any damage, switch off the product and disconnect it from the mains. To do this, turn off the fuse at the fuse box.

Make sure that fuse rating is compatible with the product.

General Information & Operation

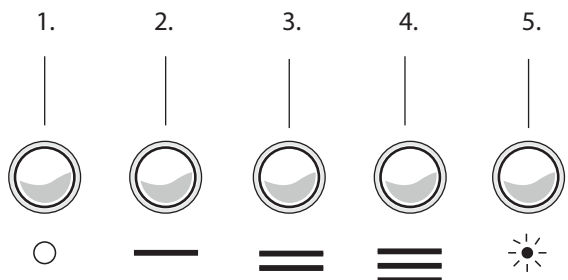
Extractor layout

1. Upper Chimney Section
2. Recirculation Vent
3. Lower Chimney Section
4. Fan and Light Controls
5. Extractor Body
6. Grease Filters
7. Light



Control panel layout

1. Extractor Power Off
2. Extractor Power Level 1
3. Extractor Power Level 2
4. Extractor Power Level 3
5. Extractor Light On/Off



Care and Maintenance

⚠ Before cleaning or attempting any type of maintenance, always make sure that the electricity supply is disconnected.

⚠ To avoid the possibility of fire, adhere strictly to all of the recommendations included in this booklet, paying particular attention to the grease filters to ensure grease deposits do not build up.

⚠ CAUTION: Accessible parts may become hot when used with cooking appliances.

The manufacturer declines all liability in cases where the instructions for the appropriate installation, maintenance and use of the extractor hood are not observed.

If the power cable is cut or damaged in any way, disconnect the extractor from the electricity supply and call the service number on the rear cover of this booklet or a suitably qualified repairer.

General cleaning

Wipe the external surfaces of the appliance regularly using warm water and a mild detergent. NEVER use abrasive cleaners, or strong household cleaners as they may affect the appearance of the product and /or artwork on the control panel, voiding the manufacturers warranty.

The grease filters

The grease filters should be cleaned every three months or sooner depending on the type of cooking being performed.

The grease filter is of a metallic material and should be washed regularly using a neutral detergent.

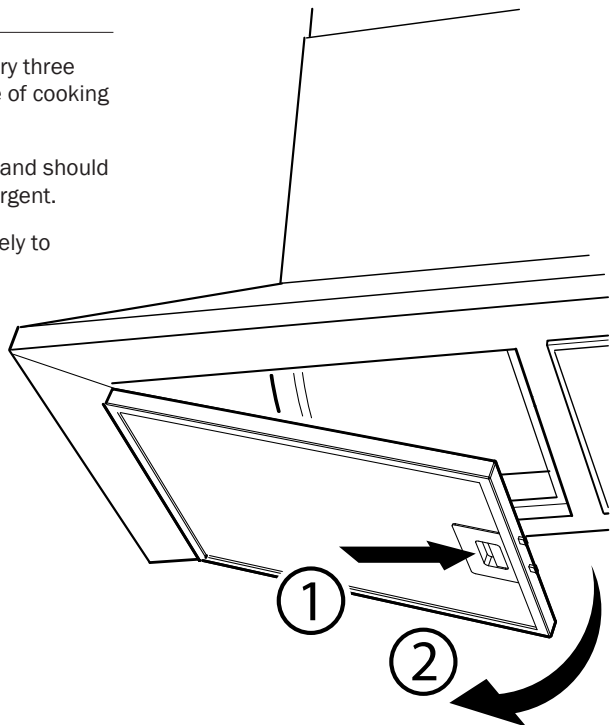
Grease filters should be washed separately to crockery and kitchen utensils.

Grease filters should be thoroughly dried before reinstalling on the extractor.

To Remove the grease filters:

- 1 Push latch
- 2 Lower filter to remove.

Installation is the reverse of the removal process.



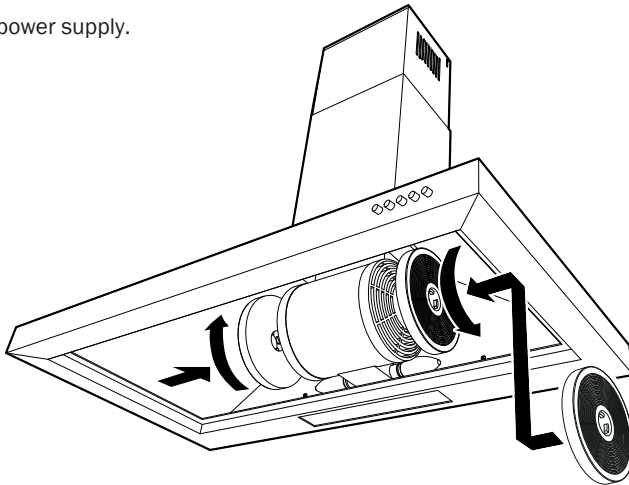
The carbon filters (supplied separately)

⚠ Before attempting to change or fit the charcoal filters ensure power to the extractor is switched off.

⚠ Carbon filters only required for recirculation mode.

Carbon filters have a limited life. We advise you to change them when there is a noticeable drop in performance. The intervals between changing the filter will depend entirely upon the amount of cooking you do, but on average they will last about 3 months. Please quote the part reference number HJA2908 (pack of 2) when reordering.

- To gain access to the carbon filters, first of all remove the grease filters as above.
- Remove the old filters and install new charcoal filters by turning them gently.
- Refit grease filters.
- Reconnect the power supply.



NOTE: The suction will be lower when installed in recirculation mode, this is normal and not a product fault.

Replacing the lamps

The lamps on this model are **service fix only and replacement** should be carried out by an authorised service agent. This product contains a light source with an energy efficiency class of A.

The extractor hood is fitted with one 2W LED lamps which will give many years of reliable service. In the event of one of the lamps failing please call the service number.

The lamps on this appliance should only be used during operation of the cooker hood. They should not be left on permanently and used as a main lighting source. The extractor is for domestic use only.

Only use replacement lamps of type: LSD - F
 DBS - 2.5/30-H-120/33
 Rectangular LED lamp 2.5W
 AC 220-240V



Installation

Methods of extraction

The very best method of clearing the kitchen of unwanted odours is by connecting the appliance to an exhaust duct and venting to the outside atmosphere via the ceiling or an exterior wall. (Suitable ducting kits may be purchased from the depot where you bought the extractor.) You do not need charcoal filters when using the external ducting mode.

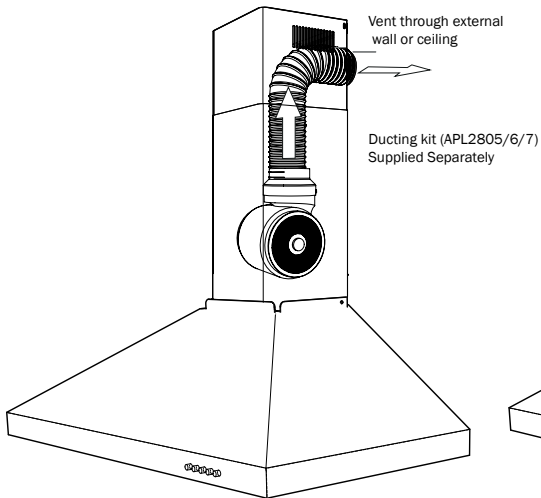


Fig 1.
Ducting mode
(No charcoal filters required)

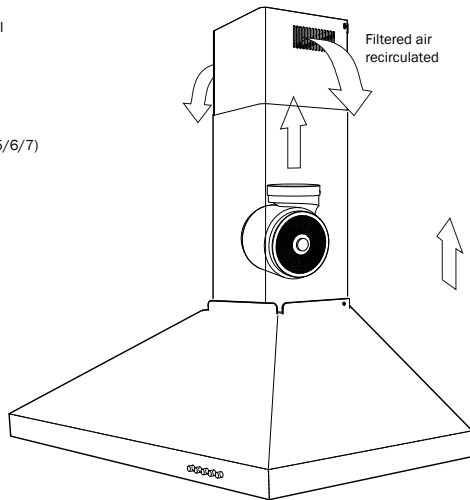


Fig 2.
Recirculation mode
(Charcoal filters HJA2908 required)

Extraction via ducting

Never use the hood in areas where devices with exhaust pipes connected to the outside are already operating unless perfect ventilation can be guaranteed.

There shall be adequate ventilation in the room when the extractor is used at the same time as an appliance burning gas or other fuels.

- Connect the external ducting kit to the outlet of the extractor.

⚠ Charcoal filters are not required if the extractor is to be ducted out.

Tips for ducting optimal air extraction:

- Keep duct work short and straight.
- Do not reduce the size or diameter of the duct.
- Keep ductwork taught to taut to minimise pressure loss.

Extraction via recirculation

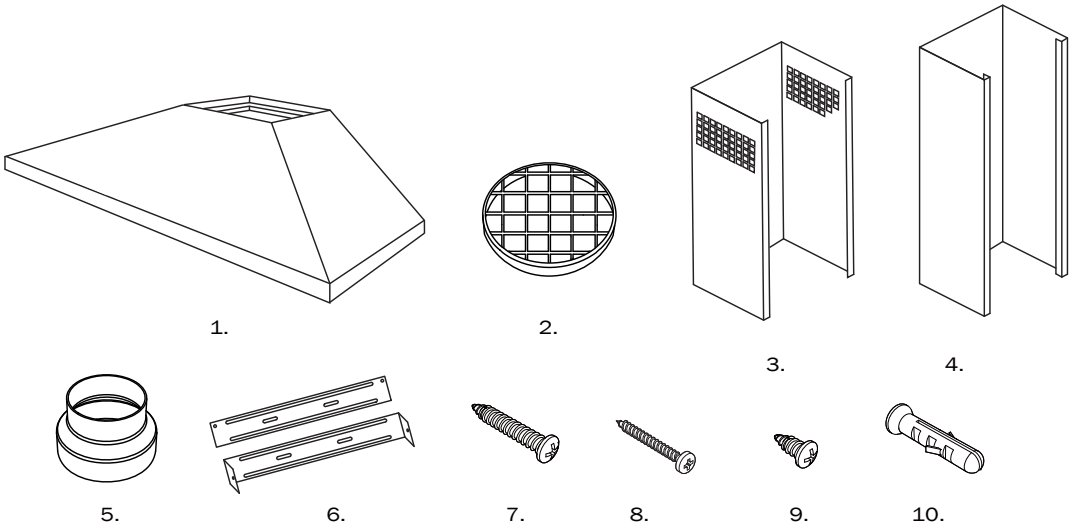
For extraction via recirculation, attach 2 charcoal filters to the sides of the motor inside the hood. These can be ordered separately quoting part reference (HJA2908).

⚠ Before attempting to change or fit the charcoal filters ensure power to the extractor is switched off.

- Remove the grease filters
- Align the carbon filters over the pins located on either side of the fan motor.
- Turn the carbon gently, until you feel them click into position.
- Replace the grease filters before the power supply is turned back on.

Part identification

On opening your box you will find the extractor body, a two-piece telescopic decorative chimney, a bag of wall fixings and screws, two fixing brackets, a ducting connector and reducer.



1. Main Extractor Body
2. Cable Grid
3. Upper Chimney
4. Lower Chimney
5. Outlet Reducer

6. Chimney Brackets
7. 4x ST4mm x 40mm Countersunk Wall Bracket Screw
8. 4x ST4mm x 30mm Flat Head Body Fixing Screw
9. 6x Chimney Fixing Screws
10. Rawl Plugs

Hanging your extractor

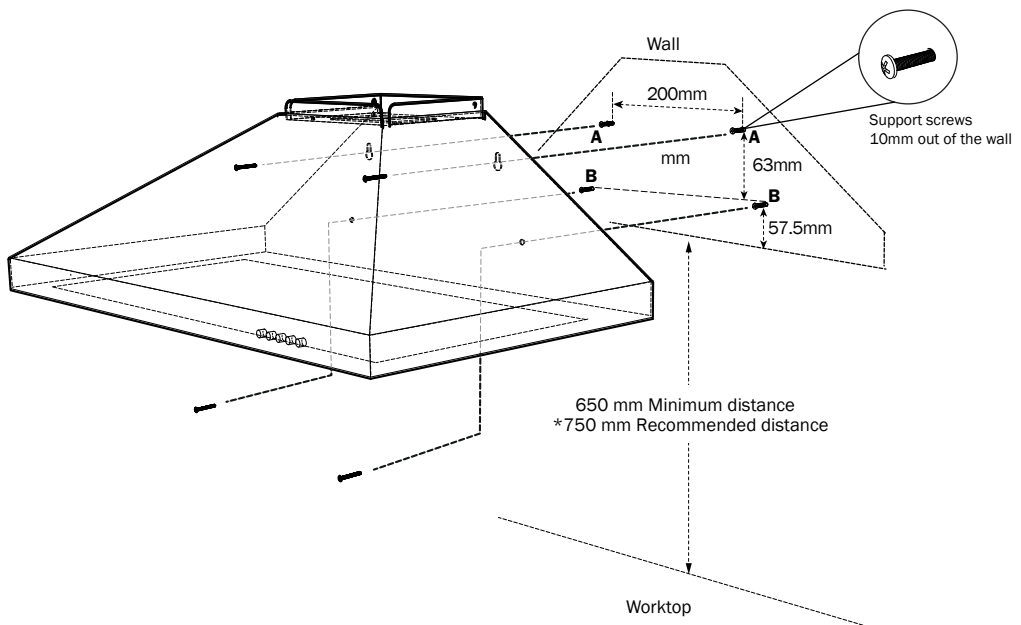
⚠ This instruction must be strictly adhered to. Failure to comply could result in overheating and serious damage to your appliance. It is recommended that the installation is carried out by two people.

⚠ Before drilling or chiselling the ceiling or wall, check for pipes and power cables.

- If ducting externally ensure the ducting tube is kept as short as possible and with the minimum of bends to permit the smoothest airflow. (Maximum length 3 metres.). Ducted air must not be discharged into a flue, which is used for exhausting fumes from appliances supplied with energy other than electricity. (E.g. gas boilers)
- Ensure the requirements of the local authorities are adhered to concerning the discharge of exhaust air.
- Ensure adequate room ventilation is provided when the extractor is used in the same room as appliances supplied with energy other than electricity.
- Never duct into a hot air flow such as a central heating duct

⚠ We strongly advise that all exterior outlets be fitted with a non return flap or louvred slatting.

1. Remove the grease filters before trying to install.
2. The recommended fixing height for the hood is 750mm above the worktop. This can be reduced to a minimum of 650mm if required.
3. Mark and drill the holes required to mount the extractor body.
4. The principal securing point is bracket is the two upper screws, secure in position but not fully flush.
5. With the help of an assistant, hang the extractor body on the upper screws and secure in position through the lower two mounting screws.

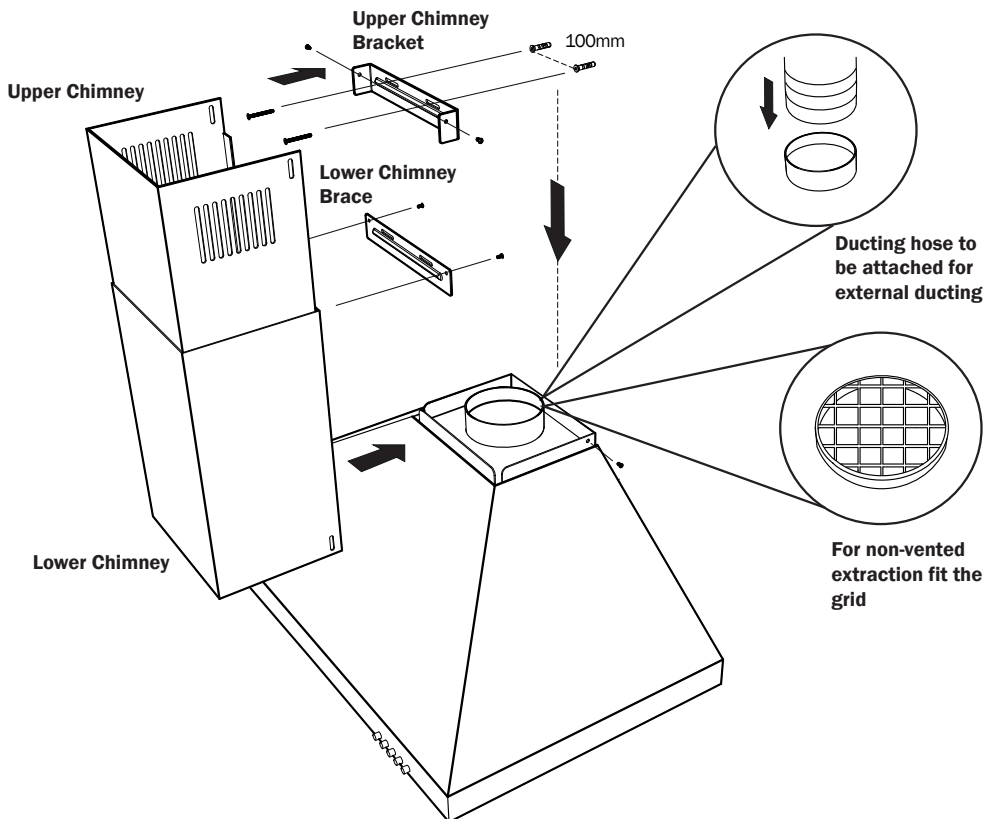


⚠ Ensure extractor is installed level above the worktop.

Decorative chimney fitting

1. Connect the extractor to the electricity supply (see electrical connections page). We recommend an isolation switch that is accessible after installation.
2. The outlet reducer '5' maybe required depending on your ducting kit (supplied separately).
3. Fit the appropriate ducting kit if venting externally.
4. Rest the chimney sections on the main extractor body and extend the upper section to the ceiling.
5. Use the extended chimney sections to mark-up the appropriate position of brackets '6'.
6. Remove the chimney sections, drill and secure fixing brackets with appropriate fixings.
7. Resit the chimney sections on to the extractor body, hooking the lower section on to bracket '6' and secure to the upper wall bracket using the screws '9' provided.

DO NOT: Operate the extractor without the grease filters in position.



Electrical connections

⚠ IMPORTANT: Ensure that the electricity supply is switched off before connecting.

When fitting in recirculation mode (with carbon filters) ensure the cable is shortened or securely held in place to prevent the loose cable from falling back into the motor.

Your appliance must be connected to fixed wiring via the use of a double pole switched fused spur outlet with at least 3mm contact separation. The isolation switch must be accessible after installation. (See technical data for fuse rating).

**We strongly recommend the appliance is connected by a suitably qualified person.
The product must be installed in accordance with all local regulations.**

⚠ The terminology DOUBLE POLE +/- means that both the live and neutral supplies are switched and disconnected at the same time.
The terminations labelled SUPPLY are the connections for the internal house wiring and the terminations labelled LOAD are for connection to the appliance.


IMPORTANT: The wires in the mains lead are coloured in accordance with the following code:-

Blue.....Neutral

Brown.....Live

Green/ Yellow.....Earth

As the colours of the wires in the mains lead of this appliance may not correspond with the coloured markings identifying the terminals in your spur box, proceed as follows;

The wire which is coloured blue must be connected to the terminal which is marked with the letter 'N' or coloured BLACK. The wire which is coloured brown must be connected to the terminal which is marked with the letter 'L' or coloured RED. The wire which is coloured Green and Yellow must be connected to the terminal which is marked with the letter 'E' or  Symbol

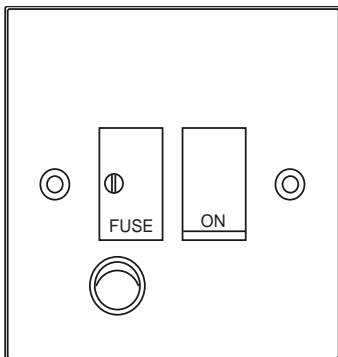


Fig 3.

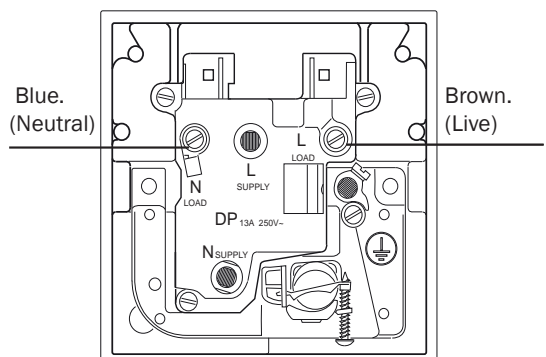


Fig 4.

Troubleshooting

TROUBLESHOOTING GUIDE

Symptoms	Possible Cause	Solutions
Light functions but fan does not	<ul style="list-style-type: none"> Motor temp has exceeded and thermal fuse has tripped. 	<ul style="list-style-type: none"> Switch off the extractor and allow it to cool down and the fuse will auto reset. Check the filter condition and clean or replace as required.
Lamps fail to operate?	<ul style="list-style-type: none"> Lamps internal fault. Power is cut (extractor will not function). Lamp has passed its usable life. 	Call the authorised service agent.
Motor is on but fan does not seem to be as efficient as usual?	<ul style="list-style-type: none"> Clogged filters can reduce the product's efficiency. Check the grease and charcoal filters (if fitted) also ensure any venting is not obstructed? 	Clean the grease filters with warm water and mild detergent, and/or replace any charcoal filters
The extractor works normally but smells linger?	<ul style="list-style-type: none"> Clogged filters can reduce the product's efficiency and may cause unwanted smells. 	Clean the grease filters with warm water and mild detergent, and/or replace any charcoal filters.
Product does not operate?	<ul style="list-style-type: none"> The mains fuse maybe defective or has tripped Product is not connected properly. 	<p>Check fuses in the fuse box. If necessary, replace or reset them.</p> <p>Check all power connections.</p>



If you cannot eliminate the problem after following the instructions in this section, consult your depot or the Authorised Service Agent. Never try to repair a nonfunctional product yourself.

Metal Surfaces of the Extractor and Condensation

When cooking with pans using a large water content, large quantities of vapour and steam can be produced very quickly. This steam may condense onto the cold metallic surfaces of the extractor and even the splash back area if tiled, glazed etc (This is not a fault with either the hob or extractor if correctly installed). The amount of this condensation on any particular surface will depend on many factors including the ambient temperature in the kitchen, the related ambient temperature of the metal surfaces, the general ventilation within the kitchen, the type of food being cooked and the duration. Using lids on pans can help reduce the amount of steam being released and subsequent condensation.

Technical specification

TECHNICAL INFORMATION

General

Total power consumption	67.5W
Fuse	3 A
Voltage /Frequency	220-240 V ~ 50 Hz
Cable type / section	0.75mm ² , 3 core or equivalent
Cable length	max. 1.5m
Lamps	1 x 2.5W LED warm white 3000k

Your guarantee

Product guarantee details (UK only)

Your appliance has the benefit of a comprehensive manufacturer's guarantee which covers the cost of breakdown repairs. (Details of which are shown on your Proof of purchase Document).

- Any claim during the period of the guarantee MUST BE ACCOMPANIED BY THE PROOF OF PURCHASE.
- The product must be correctly installed and operated in accordance with the manufacturer's instructions and used for normal domestic purposes.
- This guarantee does not cover accidental damage, misuse or alterations which are likely to affect the product.
- The guarantee is invalid if the product is tampered with, or repaired by any unauthorised person.

(The guarantee in no way affects your statutory or legal right)

What to do if you need to report a problem.

Please ensure you have ready:

- The product's model and serial numbers.
- Howdens Proof of Purchase Document.
- Your full contact details.

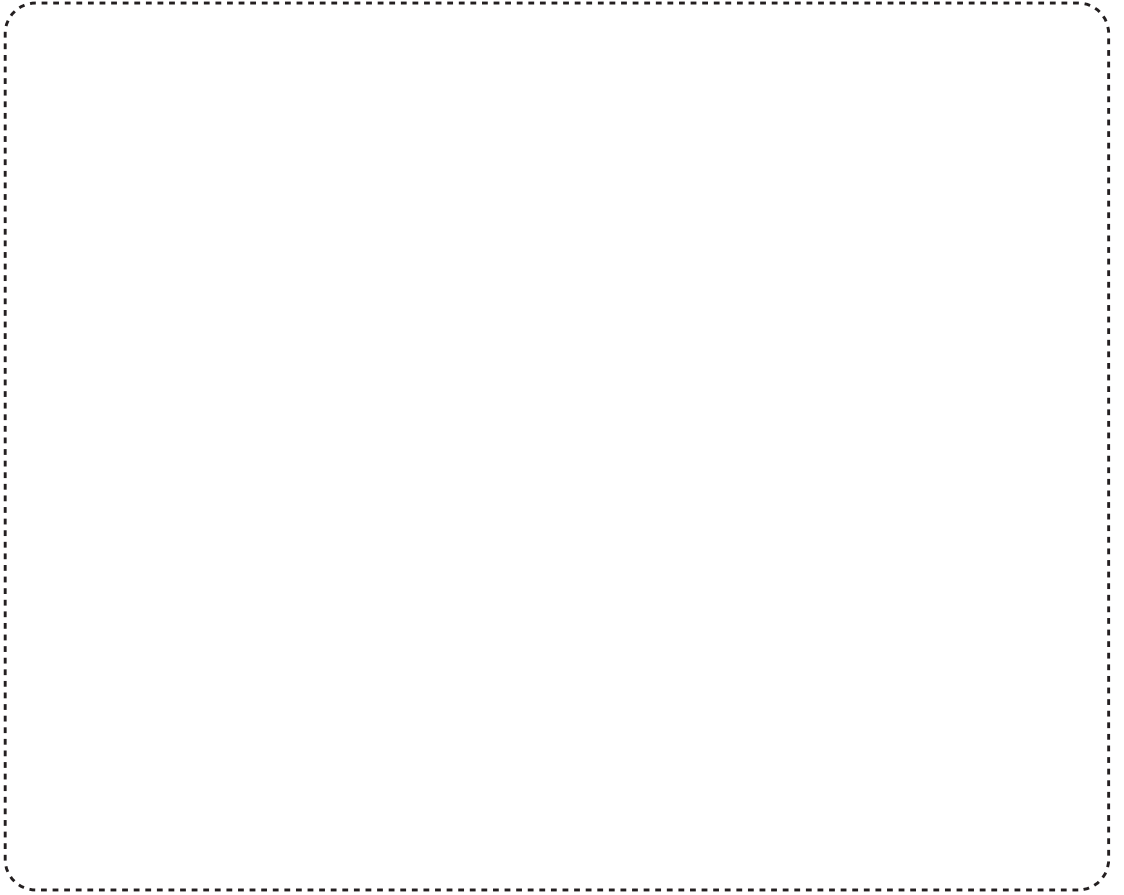
Call the Depot number on your Proof of Purchase Document supplied with the product / kitchen.

or

Call the LAMONA Service Line on 0344 460 0006

*Product installed within a domestic kitchen or a non-domestic kitchen where 8 or fewer people are using the appliance.

Where to find the model and serial number on your machine.	Remove grease filter sticker inside the main body.
---	---



Product serial number
(Place sticker here)

LAMONA

ISSUE v2 050821